

10kW Photovoltaic Battery Cabinet for Mining 2025 Model



10kW Photovoltaic Battery Cabinet for Mining 2025 Model



10 kWh Solar Battery

The 4th generation Enphase IQ Battery 10C is an all-in-one AC-coupled 10 kWh battery storage system with integrated Enphase IQ8 Microinverters and battery management unit that is reliable, smart, and ...

Photovoltaic Outdoor Energy Storage Cabinet Three-Phase 2025

...

An Outdoor Photovoltaic Energy Cabinet is a fully integrated, weatherproof power solution combining solar generation, lithium battery storage, inverter, and EMS in a single cabinet.



SINGLE PHASE 10KW ON-GRID HYBRID CABINET

o WESCOR'S TRIED AND TESTED, POWDER COATED ALUMINIUM BATTERY CABINET o SINGLE PHASE CEC APPROVED 10KW DEYE HYBRID BATTERY INVERTER WITH INPUTS FROM ...

10 KWh Battery Guide 2025: Best

Systems, Costs & Expert Reviews

As energy independence becomes increasingly important in 2025, understanding your 10 kWh battery options can save you thousands while ensuring reliable backup power when you need it ...



Menred Ess Outdoor Cabinet Ess System Commercial Outdoor ...

* The ESS.I.100215 commercial and industrial photovoltaic energy storage system consists of a built-in 60KW MPPT controller module, a 100KW PCS (Power Conversion System), and a 240KW STS ...

10KW Power 10kWh Lithium Battery IP65 Integrated Energy Storage ...

It features exceptional energy compatibility, seamlessly integrating grid power, photovoltaic power, wind power, and diesel generators. Its smart algorithm proactively mitigates voltage fluctuations and ...

LIQUID COOLING ENERGY STORAGE SYSTEM

EMS real-time monitoring
No container design
flexible site layout



Cycle Life
≥ 8000

Nominal Energy
200kwh

IP Grade
IP55

IQ Battery 10

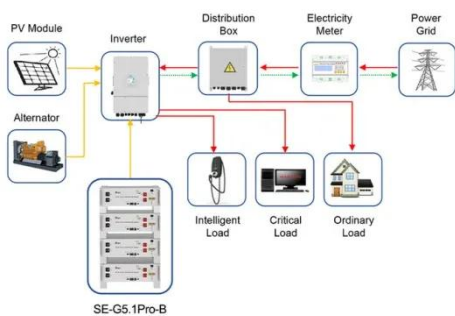
The Enphase IQ Battery 10 all-in-one AC-coupled storage system is reliable, smart, simple, and safe. It is comprised

of three base IQ Battery 3 storage units, has a total usable energy capacity of 10.08 ...



Rack Mount Cabinet Battery 10kw 20kw

We integrate research and development, production, and sales of lithium battery packs, serving solar energy, wind energy, intelligent charging equipment, and more.



Application scenarios of energy storage battery products

10kwh Battery Storage Solutions , GSL Energy

Combining battery, inverter, and BMS in a single cabinet, the all-in-one solution is ideal for mobile energy solutions, retail chains, or containerized power projects. Compact, smart, and easy to deploy.

EK Photovoltaic Micro Station Energy Cabinet

The EK photovoltaic micro-station energy storage cabinet has redefined the power supply mode of distributed energy scenarios with its core advantages of

"intelligent integration, multi-energy ...



Contact Us

For catalog requests, pricing, or partnerships, please visit:
<https://scelto.co.za>

