

# 2 75mwh solar container energy storage system in Peru

## HEAT DISSIPATION

Cold aisle containment,  
making optimal refrigeration effect;



## 2 75mwh solar container energy storage system in Peru

---



### Turnkey containerized solar project ROI in Peru

(Inkia, 11.Oct.2024) -- Inkia Energy, through its wholly-owned subsidiary Kallpa, received environmental approval for the expansion of its solar power plant currently under construction in Southern Peru, a ...

---

### Peru's New Energy Storage Revolution: Powering a Sustainable Future

Peru's high-altitude solar farms are testing vanadium flow batteries that laugh in the face of thin air. Meanwhile, the Majes Project --a pumped hydro storage beast--is storing enough energy

...



---

### Peru's Independent Energy Storage Project Bidding: Opportunities ...

Summary: Peru's energy sector is undergoing a transformative shift, with independent energy storage projects taking center stage in national renewable integration plans. This article explores bidding ...



## Price of Container Energy Storage Systems in Peru: Key Factors and

These systems combine mobility with high-capacity energy storage, making them ideal for remote mining operations, solar farms, and emergency backup solutions. But what determines the price of ...

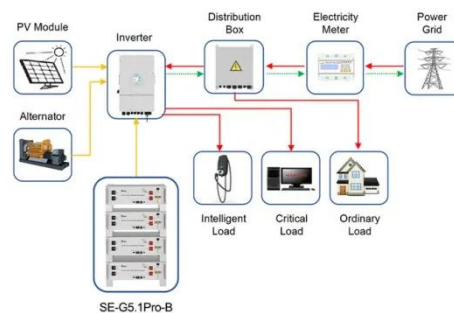


## Peru Independent Energy Storage Project Powering Sustainable

Peru has seen a 48% growth in solar and wind energy capacity since 2020, but integrating these variable resources into the national grid remains a hurdle. The Peru Independent Energy Storage ...

## Container pv storage project ROI in Peru

Scientists in Peru have proposed a self-contained, deployable system that quantifies energy losses from dust accumulation on PV modules. It uses both artificial neural networks and electrical

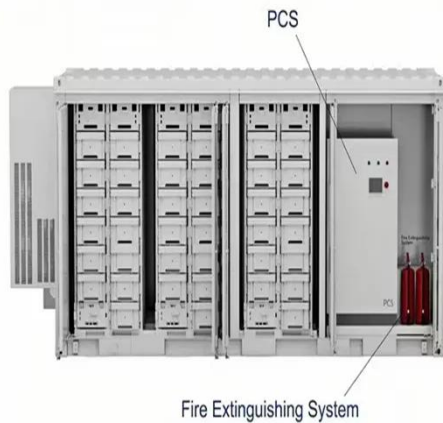


Application scenarios of energy storage battery products

## Government Subsidy for Mobile Solar Container in Peru 2025: Cost

...

Peru aims to deploy 2,000 mobile units



by 2025 through its National Electrification Plan. Let's explore how your project can tap into this \$48 million incentive pool. The Ministry of Energy estimates mobile ...

### **Container solar power system project ROI in Peru**

Since solar energy utilization in Peru is only 1.14%, yet it is the second most abundant resource, this study proposes its utilization through the deployment of concentrating solar power (CSP)



### **Peru solar Power Storage**

Peru Renewable Energy Storage & Batteries Market valued at USD 1.2 Bn, driven by renewable demand, government incentives, and tech advancements for sustainable energy.

### **Mobile Solar Container Project ROI in Peru 2025: Cost Analysis and**

A single 50 kW system offsets 87,600 liters of diesel yearly. With Peru's 3,000+ annual sunshine hours, these trailers cut energy costs by 68% versus grid-diesel

hybrids.

Support Customized Product



## Contact Us

---

For catalog requests, pricing, or partnerships, please visit:  
<https://scelto.co.za>

