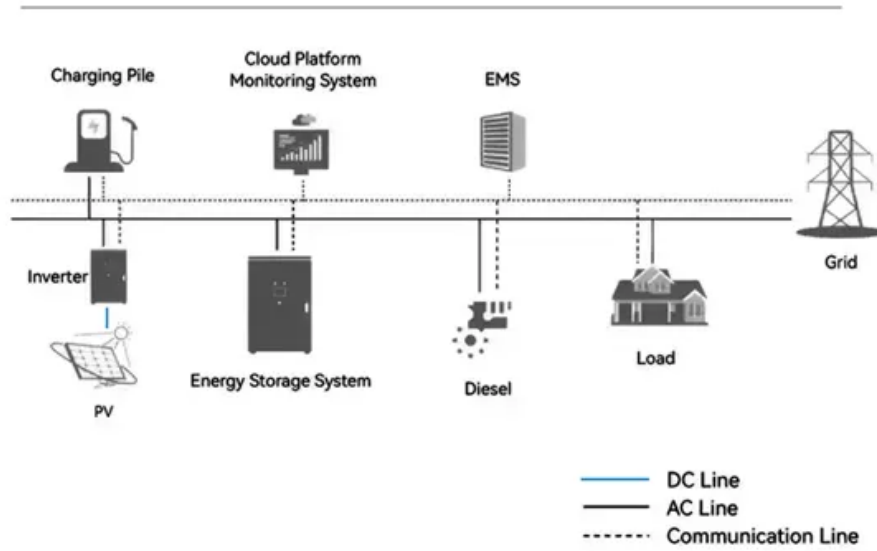


620w solar panels

System Topology



620w solar panels

JA Solar 620W Solar Panel 132 Cell Bifacial JA-JAM66-D45-620LB



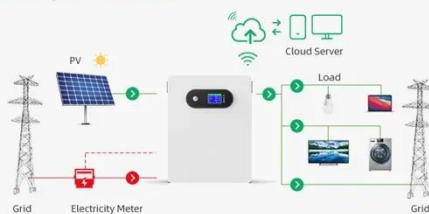
The solar cells of JA-JAM66-D45-620LB are half the size of those found in standard panels. Major advantages include reduced power consumption, extended life, and enhanced efficiency in low-light ...

N Type 620W 630W 635W All Black Double Glass Solar Panel

Thanks to Topcon technology, these full black panels excel in low-light conditions like mornings, evenings, and cloudy days, generating more power compared to conventional panels.



Solar System Connection



620W Bifacial Solar Panel , JAM66D45-620/LB

Ideal for grid-tie systems, microinverters, and traditional solar inverters, the JA Solar 620W unit represents an optimal investment in renewable energy. With its robust design and long-lasting ...

REC Alpha Pro M Series 620W Solar

Panel , Solar Electric Supply

The REC Alpha Pro M Series 620W solar panel is a high-performance solution designed for commercial and industrial applications. By integrating advanced heterojunction (HJT) cell technology with a ...



High Efficiency N Type 620W Solar Panels vs Traditional Models

Among the latest innovations are N Type high-efficiency 620W solar panels. These advanced panels are emerging as a strong contender against traditional solar models, and in this ...

JA Solar 620W N-Type TOPCon Bifacial Solar Panel , SolarTown

Everything you need to go solar, all in one kit. Spec out a full parts list for your solar project. We'll help design a complete system to meet your project goals.



Jinko Solar 620W Datasheet

Jinko's 620w solar panel is designed to maintain optimal performance even in varying temperature conditions. A lower temperature coefficient ensures that the solar panel can withstand temperature ...



Risen 620W N-Type TOPCon Bifacial Solar Panels

Risen 620W n-type TOPCon, bifacial dual-glass modules for C& I and utility projects--more energy per string, long warranties.



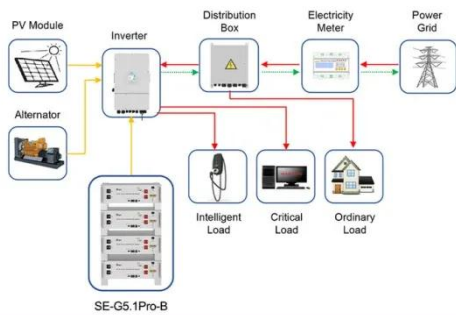
Trina Solar TSM-620NEG19RC.20

The TSM-620NEG19RC.20 combines very high nominal power (620 Wp), cutting-edge n-Type i-TOPCon efficiency and a durable bifacial glass-glass design -- perfect for utility and large ...

Solar Panel N Type JA 620W Bifacial Solar Panel - Solux, LLC

Produces 620W per square feet to optimize rooftops with space constraints. Independently generates renewable energy for electric bill savings. Get a

powerful JA Solar 620W bifacial panel!
Features ...



Application scenarios of energy storage battery products

N Type 620W 630W 635W All Black Double Glass ...

Thanks to Topcon technology, these full black panels excel in low ...

Contact Us

For catalog requests, pricing, or partnerships, please visit:
<https://scelto.co.za>

