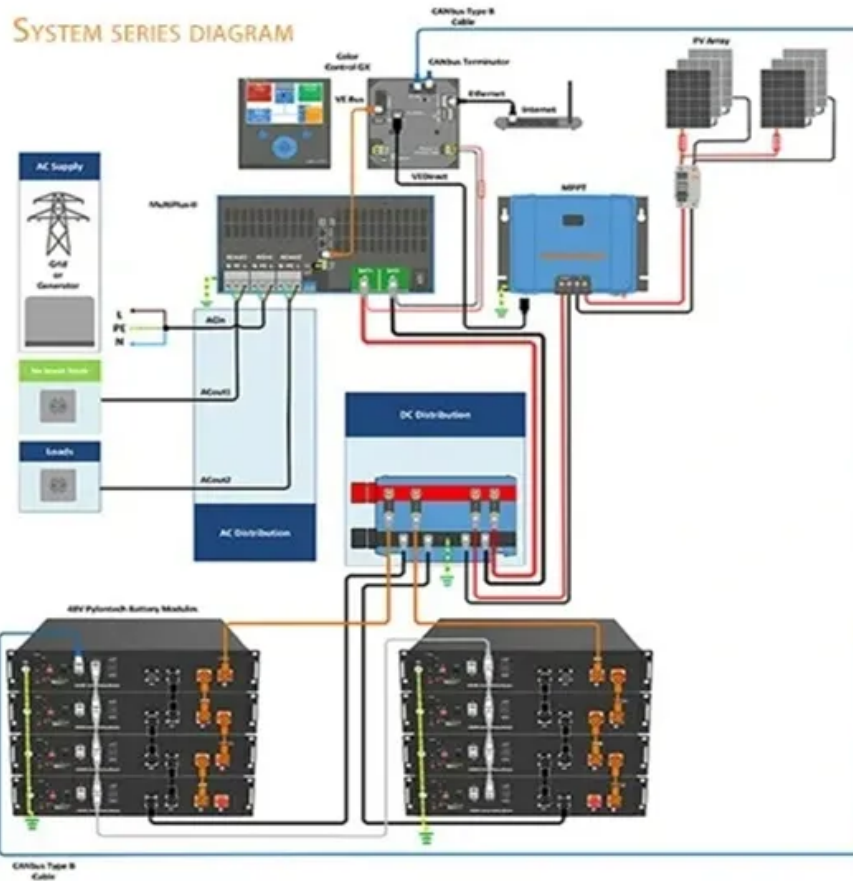


# Belize energy storage cabinet costs



## Overview

---

The average Belize thermal energy storage price currently ranges between \$80-\$300 per kWh depending on the tech used, but here's the kicker: smart storage could slash hotel energy bills by 30% during peak tourist seasons. The Tech Buffet: What's Cooking in Belize's TES Market?

Molten Salt Systems. Belize's growing manufacturing and tourism sectors face rising energy demands, with electricity prices averaging \$0.23/kWh - 35% higher than neighboring countries. Europe follows closely with 32% market share, where standardized container designs have cut installation timelines by 60% compared to traditional. When it comes to energy storage power price inquiry in Belize, stakeholders are increasingly focused on balancing affordability with reliability. As renewable energy adoption grows, the demand for cost-effective storage solutions has skyrocketed.

## Belize energy storage cabinet costs

---



### Belize Industrial Energy Storage Cabinet Cost A Comprehensive ...

Cost Breakdown: What Impacts Pricing? Three primary factors determine industrial energy storage costs in Belize:

---

### Belize Thermal Energy Storage Prices: Trends, Technologies, and ...

The average Belize thermal energy storage price currently ranges between \$80-\$300 per kWh depending on the tech used, but here's the kicker: smart storage could slash hotel energy bills ...



---

### How much does a large energy storage cabinet cost in Belize

A 100-degree solar energy storage cabinet typically costs between \$1,500 and \$4,500, depending on various factors such as brand, size, features, and installatio

---

### Belize Energy Storage Cabinet Price

The average Belize thermal energy storage price currently ranges between \$80-\$300 per kWh depending on the tech used, but here's the kicker: smart storage could slash hotel energy bills by ...



### **Belize Home Energy Storage System Prices: Trends, Costs, and ...**

Whether you're a homeowner in Belize City or a eco-conscious resident in San Ignacio, understanding Belize home energy storage system prices is crucial for making informed decisions.

### **BELIZE INDUSTRIAL ENERGY STORAGE CABINET COST A ...**

These energy storage containers often lower capital costs and operational expenses, making them a viable economic alternative to traditional energy solutions. The modular nature of containerized ...



### **Belize Energy Storage Winning Bid Price Announcement: What It ...**

With a finalized bid price of \$89.70 per MWh for a 60MW/120MWh battery storage project, Belize demonstrates its

commitment to stabilizing grid infrastructure while accelerating solar and wind ...



## Belize Energy Storage Power Price Inquiry Trends Costs and Solutions

As renewable energy adoption grows, the demand for cost-effective storage solutions has skyrocketed. This article breaks down the factors influencing prices, explores real-world applications, and ...



 TAX FREE    

## ENERGY STORAGE SYSTEM

### Product Model

HJ-ESS-215A(100KW/215KWh)  
HJ-ESS-115A(50KW/115KWh)

### Dimensions

1600\*1280\*2200mm  
1600\*1200\*2000mm

### Rated Battery Capacity

215KWH/115KWH

### Battery Cooling Method

Air Cooled/Liquid Cooled



## BELIZE THERMAL ENERGY STORAGE PRICES TRENDS ...

We have extensive manufacturing experience covering services such as battery enclosures, grid energy storage systems, server cabinets and other sheet metal enclosure OEM services..

## Contact Us

For catalog requests, pricing, or partnerships, please visit:  
<https://scelto.co.za>

