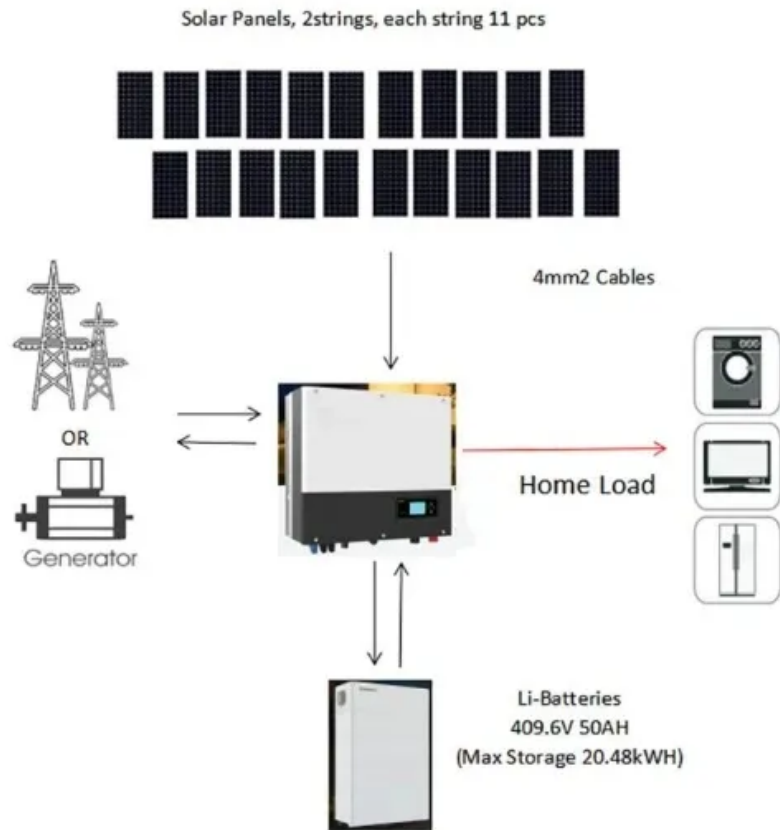


Can there be a chimney under the photovoltaic panel



Overview

A solar chimney can provide passive ventilation to a building using the sun's solar energy. Chimneys are one of the most common roof obstructions when installing solar panels. The solar chimney includes a circular area of glass placed at a certain distance from the Earth's surface, and at the center of this circle is a chimney. However, one innovative application gaining traction is the solar chimney, a system that naturally plays an important role in heating and cooling buildings. Heat naturally rises—like air from a fire will rise through a chimney—creating draft and taking the smoke with it.

Can there be a chimney under the photovoltaic panel



How to place solar panels around the chimney on the roof of my house

If you are planning to install solar panels on the roof of your house, there are a few key steps you can take to ensure that the panels are placed around the chimney safely and securely.

Installing Solar Around chimneys, Skylights, & Vents

Installing solar panels right up against a chimney is not advisable, as it can reduce clearance needed for chimney maintenance and potentially cause sediment buildup on the solar ...



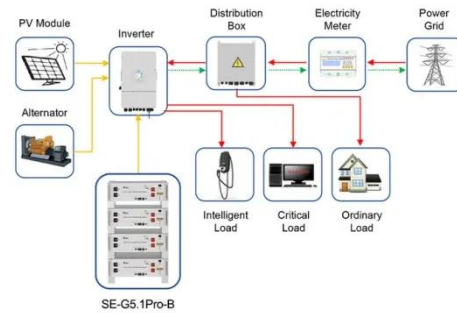
Application of solar chimneys and hybrid solar chimneys for ...

Photovoltaic panels can be installed on the solar chimney to generate electricity and thermal energy to power building systems and increase the chimney's performance.

Solar Power Chimneys: Harnessing

Renewable Energy

Solar power chimneys can complement other solar technologies, such as photovoltaic panels, to provide a stable energy supply, especially during cloudy days or nighttime when direct ...



Application scenarios of energy storage battery products



Solar Chimneys: A Smart Solution for Sustainable Heating and Cooling

A solar chimney is a type of passive solar heating and cooling system, and its function is relatively simple. While it looks like a traditional chimney, its purpose is to regulate a building's ...

Solar Chimney

Solar Innovations, Inc. can offer solar chimneys with operable or fixed vent options for the function. Both fixed and operable vents have a place in solar chimney applications, but if you're not sure what is ...



Solar Chimneys for Cooling and Generation of Electricity

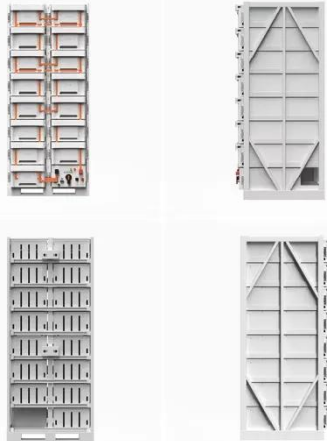
Solar chimneys harness the power of the sun to generate electricity and provide natural ventilation and are proving to be an effective way to reduce energy

consumption and carbon emissions.



Solar Chimney Design

A solar chimney can provide passive ventilation to a building using the sun's solar energy. Also called a thermal chimney, read here to learn how they work.



Photovoltaic Solar Chimney System: A Review

Integrating the solar chimney into the solar photovoltaic system can allow the airflow beneath panels to cool the panels and can increase their efficiency and thus the output.

Solar Chimneys: A Passive Solution for Efficient Cooling, Heating, and

A solar chimney, also known as a thermal chimney, is an innovative, passive solar system designed to regulate indoor temperatures, improve

ventilation, and enhance fire safety within ...



Contact Us

For catalog requests, pricing, or partnerships, please visit:
<https://scelto.co.za>

