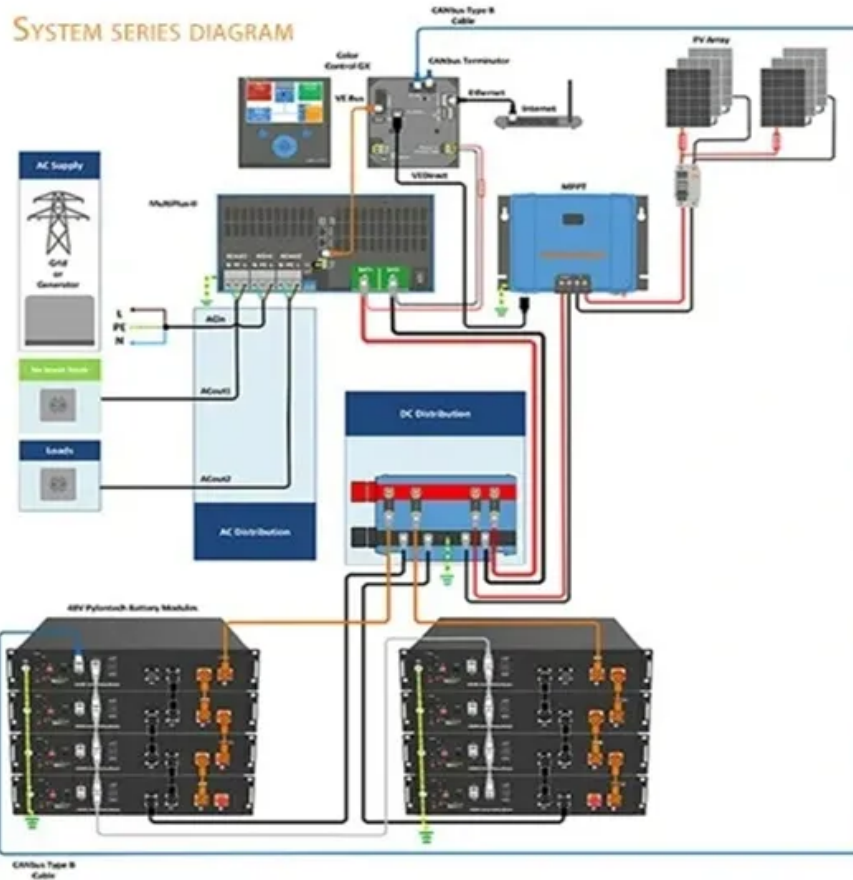


Danish solar charging pile energy storage application market



Overview

This definitive report equips business leaders, decision-makers and stakeholders with a 360° view of the global Photovoltaic Energy Storage Charging Pile market, seamlessly integrating production capacity and sales performance across the value chain. Denmark's progress towards renewable energy integration stands out in the EU, as the country chases a steep target of 70% domestic emission reduction by 2030. The vision is to turn energy storage and conversion into a Danish. This article explores cutting-edge energy storage solutions, their applications across industries, and why Danish projects set global benchmarks. Learn how advanced storage systems enable grid stability and accelerate green energy adoption. With wind power supplying over 55% of national electricity in 2024, grid operators face mounting pressure to balance intermittent supply. As the world increasingly leans towards renewable resources to combat climate change, Denmark presents a promising environment for solar energy development. This article examines Denmark's solar.

Danish solar charging pile energy storage application market



ENERGY STORAGE CHARGING PILE IN AARHUS DENMARK

The global solar storage container market is experiencing explosive growth, with demand increasing by over 200% in the past two years. Pre-fabricated containerized solutions now account for ...

Global Photovoltaic Energy Storage Charging Pile Market Outlook, In

This definitive report equips business leaders, decision-makers and stakeholders with a 360° view of the global Photovoltaic Energy Storage Charging Pile market, seamlessly integrating production capacity ...



Danish Energy Storage Projects: Powering a Sustainable Future

Discover how Denmark leads the charge in renewable energy storage innovation. This article explores cutting-edge energy storage solutions, their applications across industries, and why Danish projects ...

Charging Pile Market Report , Global Forecast From 2025 To 2033

The market is witnessing a surge in the development of fast-charging solutions to address the demand for quick and convenient charging experiences. Increasing collaborations between charging pile ...



LFP12V100



Opportunities and Challenges in Denmark's Growing Solar Market

Danish technological advancements in battery storage and smart grid integration are critical to maximizing energy output from solar installations. Businesses that invest in energy storage ...

Danish Energy Storage Battery Procurement: Key Trends and ...

Denmark's ambitious renewable energy targets--aiming for 100% clean electricity by 2030--are driving unprecedented demand for battery storage solutions. With wind power supplying over 55% of ...



Denmark GES2024

The Danish market is yet to be effectively tapped for battery storage in grid management. The opportunity will

unfold as the power system expands while phasing out all operational thermal ...



Denmark's Hybrid Solar-Battery Park Turns Day Into Night

European Energy lights up Denmark with a solar-plus-storage hybrid: bifacial, tracked PV and liquid-cooled batteries deliver evening power, grid stability, faster services, and revenue from ...



STATUS STRENGTHS SYNERGIES

The company develops and patents solutions for innovative, cost-efficient and adjustable solar collectors, which are now combined with energy storage in stone (RockStore) and intelligent ...

Denmark Grid Energy Storage Systems Market: Key Insights on ...

Denmark Grid Energy Storage Systems Market was valued at USD 5 Billion in 2022 and is projected to reach USD 15 Billion by 2030, growing at a CAGR of

15% from 2024 to 2030.



Contact Us

For catalog requests, pricing, or partnerships, please visit:
<https://scelto.co.za>

