

Financing Plan for a 500kW Energy Storage Container



Overview

With these 7 financing options, you can find the right fit for your project. This Note also discusses the fixed and variable revenue sources available to battery storage projects based on the benefits they offer to electricity. Battery energy storage systems (BESS) have emerged as critical infrastructure enabling renewable energy integration, grid stability, and peak capacity management. Government incentives and grants can offer tax credits and green bonds to reduce financial burdens. Power. The energy storage system is essentially a straightforward plug-and-play system which consists of a lithium LiFePO4 battery pack, a lithium solar charge controller, and an inverter for the voltage requested. Price is \$387,400 each (for 500KWH Bank) plus freight shipping from China. Designed with either on-grid (grid following) or hybrid (grid forming) PCS units, each BESS unit is capable of AC coupling to new or existing PV systems making them an ideal.

Financing Plan for a 500kW Energy Storage Container

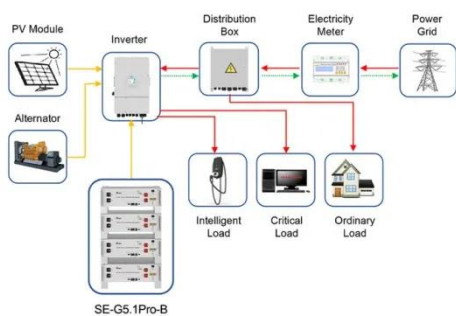
Battery Storage Investment: Complete Financing Guide



Complete guide to battery storage financing, BESS investment, capital requirements, financing structures, and revenue models for 2025.

How to finance an energy storage system project?

By understanding the costs involved, identifying the right financing option, developing a strong business case, and working with a professional team, you can increase the likelihood of ...



Application scenarios of energy storage battery products

7 Energy Storage Financing Options to Explore - Sozadee

You're exploring financing options for your energy storage project, and you've got several avenues to explore. Government incentives and grants can offer tax credits and green bonds to reduce financial ...

500kW Battery Energy Storage

System

Each BESS container has either a 300kW or 500kW PCS system offering a complete, install ready energy storage system. All system systems are offered with either 400VAC or 480VAC 3 phase ...



Financing Plan for 500kW Off-Grid Solar Container for Marine Use

I'm interested in learning more about your Financing Plan for 500kW Off-Grid Solar Container for Marine Use. Please send me more information and pricing details.

100-500KWH Energy Storage Banks in 20 ft. Containers

Each container with all of the equipment will weigh less than 16 tons. Fully tested before being shipped. Factory will provide free installation support and after sales service. Production time is 4-6 weeks. ...



What's the Real Price of a 500kW Container Energy Storage System?

Pricing a 500kW container energy storage system isn't just about today's numbers. It's about software updates,



incentive deadlines, and whether your supplier actually answers emails.

Container Energy Storage System

A high-performance, all-in-one, containerized battery energy storage system developed by Sunark, provides C& I users with the intelligent and reliable solution to optimize energy efficiency and resilience.



Energy Storage Container Equipment Funding: Key Insights for ...

Summary: This article explores funding opportunities for energy storage container systems, analyzes industry trends, and provides actionable insights for businesses seeking financial solutions.

Battery Energy Storage Financing Structures and Revenue

Explains the key benefits battery energy storage projects offer and how project

owners can monetize these benefits (see Benefits of Battery Energy Storage Projects).



Contact Us

For catalog requests, pricing, or partnerships, please visit:
<https://scelto.co.za>

