

Future efficiency of solar power generation



Future efficiency of solar power generation



Recent Advances and Future Challenges of Solar Power Generation

This study not only deepens our understanding of existing methodologies but also provides valuable insights for future advancements in solar power generation forecasting.

A review of solar photovoltaic technologies: developments, ...

In recent years, massive research and development (R& D) efforts have been directed towards advancing solar PV technologies. These efforts have led to significant advancements in ...



30 visions for a better world in 2030 , World Economic Forum

From cutting violence in half to turning the whole economy circular, a set of optimistic predictions drawn from global experts in the World Economic Forum's Global Future Councils.



Future Trends in Solar Panel

Efficiency: What to ...

As global awareness surrounding climate change and energy sustainability continues to rise, the race for more efficient solar panels has ...



The Future of Global Fintech: From Rapid Expansion to ...

This second edition of the Future of Global Fintech report, developed in collaboration with the Cambridge Centre for Alternative Finance, provides a clear view of the current fintech landscape ...

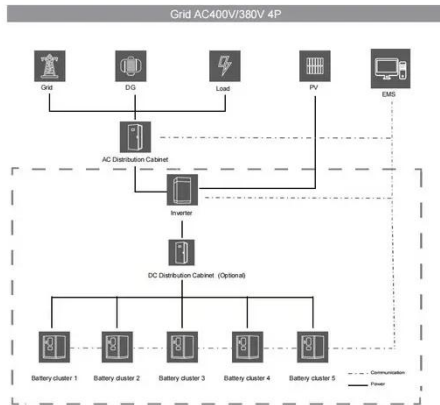
Digital public infrastructure is key to a connected future

Digital public infrastructure is key to enabling a connected future for the benefit for all, but it needs to be accessible, safe, scalable and trustworthy.



Why strategic foresight prepares organizations for the future

Strategic foresight is essential for future-ready organizations - this is how a new self-assessment tool can help them benchmark and build capability.



Solar Performance and Efficiency

Abstract: Photovoltaic (PV) technology has witnessed remarkable advancements, revolutionizing solar energy generation. This article provides a comprehensive overview of the recent ...



Sustainable Electricity Generation Through Solar Energy ...

Solar energy stands out as a favorable solution in terms of abundant availability, scalability, and minimal environmental effect. It explores the advancements in solar energy ...

The Future of Jobs Report 2025

When the Future of Jobs Report was first published in 2016, surveyed employers expected that 35% of workers' skills would face disruption in the coming years. The COVID-19 pandemic, ...



Solar power generation drives electricity generation growth over ...

In our STEO forecast, utility-scale solar is the fastest-growing source of electricity generation in the United States, increasing from 290 BkWh in 2025 to 424 BkWh by 2027. Almost 70 ...

(PDF) Efficiency improvement and application prospects of solar

This paper is mainly about how to improve the efficiency of solar photovoltaic power generation and the application of solar power generation.



Super-efficient solar cells: 10 Breakthrough ...

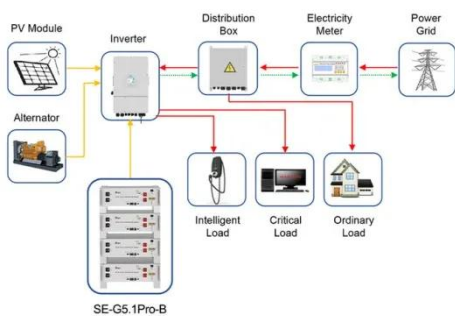
Solar cells that combine traditional silicon with cutting-edge perovskites could push the efficiency of solar panels

to new heights.



5 pathways towards an optimistic future, according to today's ...

With the 21st century bringing unprecedented challenges, young people can provide a strategic compass to navigating them.



Application scenarios of energy storage battery products

Efficiency and Sustainability in Solar Photovoltaic Systems: A ...

By tackling challenges such as efficiency losses, environmental impacts, and the integration of solar energy into existing energy grids, ongoing research is influencing the future of ...

The Future of Jobs Report 2025 , World Economic Forum

Technological change, geoeconomic fragmentation, economic uncertainty, demographic shifts and the green transition - individually and in

combination are among the major drivers ...



These are the Top 10 Emerging Technologies of 2025

The World Economic Forum's latest Top 10 Emerging Technologies report explores the tech on the cusp of making a massive impact on our lives.

5 futures of infrastructure: What will we build by 2100?

The future of infrastructure will be shaped by trade-offs between resilience, equity and control. Proactive thinking, long-term vision and systemic action are essential and possible.



Contact Us

For catalog requests, pricing, or partnerships, please visit:
<https://scelto.co.za>

