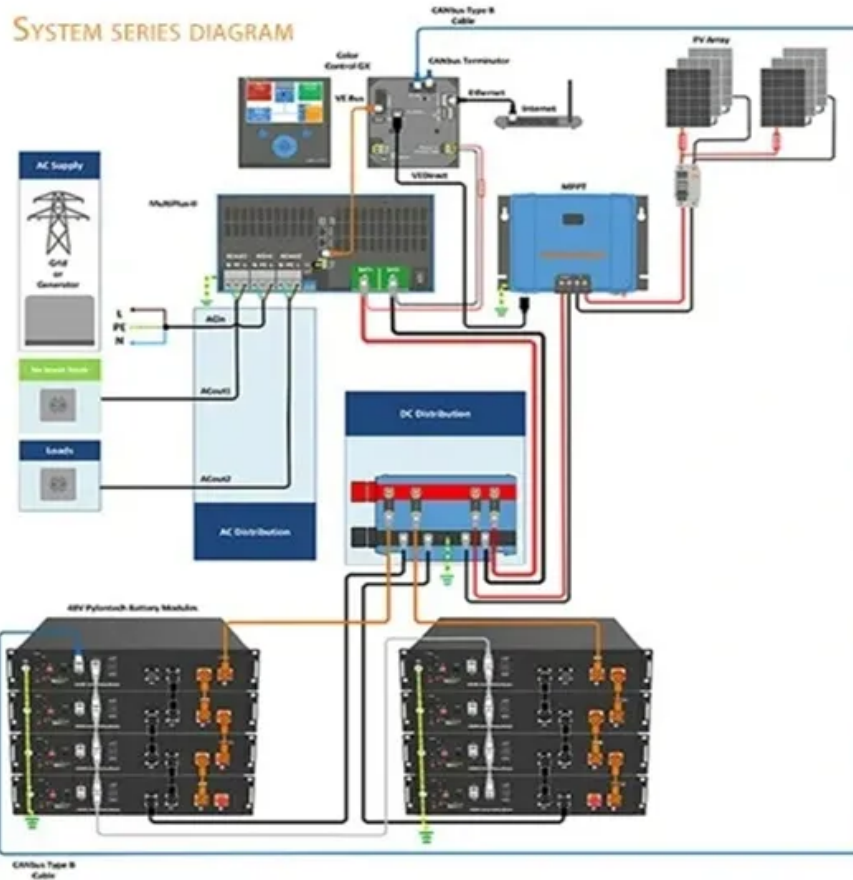


Honduras energy storage cabinet battery investment project



Honduras energy storage cabinet battery investment project



Honduras: Six bids for 'ambitious' 300MWh ...

A government meeting taking place to discuss the tender. Image: Erick Tejada Carbajal via X. Last week (7 November) saw bids ...

Honduras energy storage project

The nine projects total US\$1.7 billion of investment, 1,366MW of renewable energy generation and 2,027MWh of energy storage capacity at the very least, with two not revealing exact ...

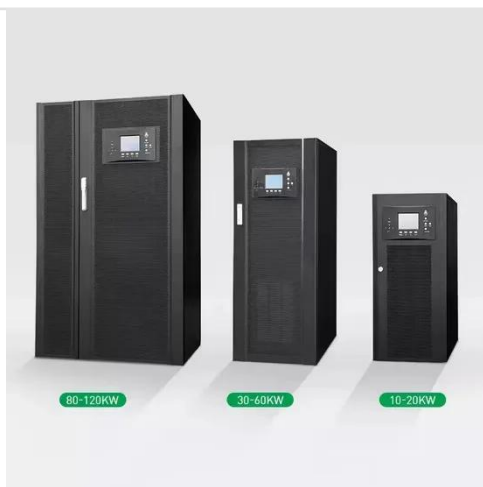


Chinese-Honduran consortium wins contract for the construction ...

Photo: Cancillería Honduras on X. According to the report by the media outlet El Mundo, the Honduran Minister of Energy, Erick Tejada, mentioned that the contract for the construction of a ...

HONDURAS AWARDS 300 MWH BATTERY STORAGE PROJECT

Honduras Energy Storage Integration Project In November 2024, Honduras made waves with its 75MW/300MWh battery storage tender - the energy equivalent of building a 4-hour power bank for ...



HONDURAS AWARDS 300 MWH BATTERY STORAGE PROJECT

Battery Energy Storage Cabin Intelligent Manufacturing Project With the core objective of improving the long-term performance of cabin-type energy storages, this paper proposes a collaborative design ...

Honduras: Six bids for 'ambitious' 300MWh energy storage project Energy

A government meeting taking place to discuss the tender. Image: Erick Tejada Carbajal via X. Last week (7 November) saw bids opened for a 75MW/300MWh BESS tender launched by the ...

Nominal Capacity
280Ah
Nominal Energy
50kW/100kWh
IP Grade
IP54



Honduras awards 300 MWh battery storage project

The National Electric Power Company (ENEE) has selected a Chinese-Honduran

consortium to design, supply, install, test, and commission a grid-connected battery energy storage ...



First Bid, First Win! Windey Secures First Energy Storage Project ...

Recently, Windey, in collaboration with EQUINSA, a local Honduran power company, successfully won the EPC turnkey contract for Honduras' first energy storage project--the Honduras ...



Honduras Enterprise Energy Storage: Powering the Future of ...

The Battery Boom: Honduras Charges Ahead In November 2024, Honduras made waves with its 75MW/300MWh battery storage tender - the energy equivalent of building a 4-hour power ...

Honduras awards region's largest battery storage project to ...

Honduras has awarded a US\$50.2 million contract for a 75 MW battery energy storage system to the Chinese-Honduran consortium Windey-Equinsa. This

project, selected through an ...



Honduras launches tender for a battery energy storage system

Honduras announces a tender for the installation of an energy storage system with batteries (BESS) at the Amaratoca substation, aiming to improve electrical supply stability. Deadline: ...



Contact Us

For catalog requests, pricing, or partnerships, please visit:
<https://scelto.co.za>

