

# How many kilowatt-hours of electricity are suitable for solar solar container outdoor power



## How many kilowatt-hours of electricity are suitable for solar solar c

---



### How Many kWh Does a Solar Panel Produce?

The kWh a solar panel produces depends on two main factors: its wattage and sunlight intensity. Learn how to calculate a daily energy estimate.

### Solar Panel Calculator

How to use this calculator: Enter your monthly electricity consumption and location details to calculate required solar panel system size.



### How Many Solar Panels Do I Need? 2025 Calculator , SolarTech

According to recent residential energy consumption data, the average American home uses 10,791 kWh annually (about 900 kWh per month), but your usage could range from 6,000 kWh to ...

### How Many kWh Does Your Solar

## System Actually Need? (Real ...

Many outdoor enthusiasts start with smaller systems and expand as needs grow, building their perfect camping power solution over time. Portable solar systems for camping and RV use provide 5-10 kWh ...



## Solar Power System: How to Calculate Perfect Size for Your Needs

Calculating the size of your solar power system involves understanding your energy consumption, peak sunlight hours, system efficiency, and roof space. By following these steps, you can ensure your ...

## How Many Solar Panels Are Needed to Produce 1 kWh ...

Wondering how many solar panels to produce 1 kWh? Discover everything from panel efficiency to installation, cost, and calculation.



## How Many kWh Does A Solar Panel Produce Per Day? Calculator

To illustrate how many kWh different solar panel sizes produce per day, we

have calculated the kWh output for locations that get 4, 5, or 6 peak sun hours. Here are all the results, gathered in a neat chart:



## How Many kWh Can A Solar Panel Generate

This guide delves into how much electricity a solar panel can produce, walking you through the calculation process, and explaining the factors that influence their output. Plus, we'll ...



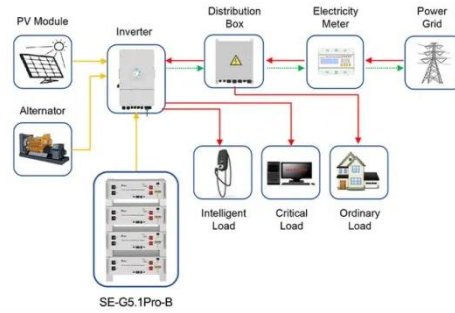
## How many kilowatt-hours of solar power are usually generated

A typical solar energy system can generate between 1,000 to 1,500 kilowatt-hours (kWh) per installed kW per year, depending on factors such as location, system orientation, and technology. ...

## The Complete Off Grid Solar System Sizing Calculator

Using your daily energy usage and Peak Sun Hours, and assuming a system efficiency of 70%, the calculator

estimates the Wattage required for your off-grid solar system's solar array.



Application scenarios of energy storage battery products

## Contact Us

For catalog requests, pricing, or partnerships, please visit:  
<https://scelto.co.za>

