

# How much power does solar photovoltaic panels provide



## Overview

---

The optimal solar panels produce 250 to 400 watts of electricity. However, this output can vary based on factors such as the panel type, angle, climate, etc. To calculate the rough estimate of a solar panel's daily watt-hour output, multiply its power in watts by the average. About 97% of home solar panels installed in 2025 produce between 400 and 460 watts, based on thousands of quotes from the EnergySage Marketplace. But wattage alone doesn't tell the whole story.

## How much power does solar photovoltaic panels provide

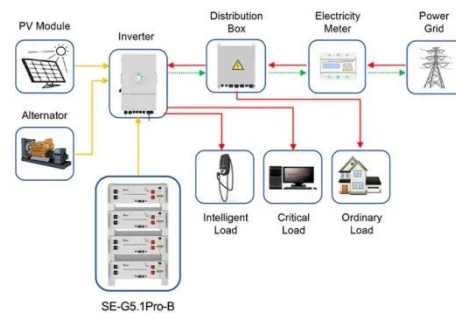


### How Many kWh Does A Solar Panel Produce Per Day? Calculator + Chart

For 1 kWh per day, you would need about a 300-watt solar panel. For 10kW per day, you would need about a 3kW solar system. If we know both the solar panel size and peak sun hours at our location, we can ...

### How Many kWh Does a Solar Panel Produce?

Solar panel capacity is rated in watts, and solar production is measured in watt-hours. Panel wattage is related to potential output over time; for example, a 400-watt solar panel could



Application scenarios of energy storage battery products



### How Much Power Does a Solar Panel Produce?

A residential solar panel typically produces between 250 and 400 watts per hour, depending on the panel's size and sunlight conditions. Panels for home systems usually have 60 or 72 small square ...

### How Much Power Does A Solar Panel

## Produce?

These days, the latest and best solar panels for residential properties produce between 250 and 400 Watts of electricity. While solar panel systems start at 1 KW and produce between 750 and 850



## How Much Energy Does A Solar Panel Produce? , Renogy US

Most residential solar panels have power ratings between 100W and 400W, with higher-efficiency models reaching up to 500W. Panel efficiency, indicating the percentage of sunlight converted into electricity, ...

## How much power do solar panels produce? , Trinity Solar

Most solar panels used in residential settings can produce between 300 W and 800 W per hour. Because of current technology and average peak sun hours, common residential solar panels have an efficiency of ...



## How Much Energy Does A Solar Panel Produce?

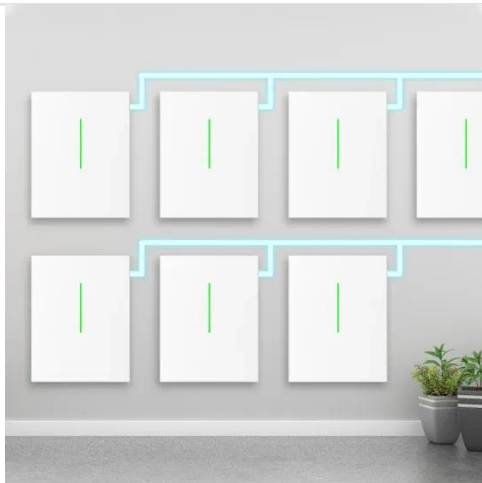
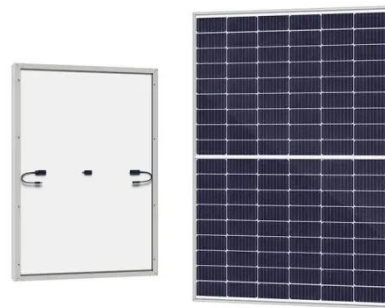
How much power does a solar panel produce? About 97% of ...



---

## How Much Power Does a Solar Panel Produce? Solar Panel

A standard residential solar panel, typically rated between 250 to 400 watts, can generate approximately 1 to 2 kilowatt-hours (kWh) of electricity per day under optimal conditions. The power output ...



---

## How Much Energy Does A Solar Panel Produce?

If you're thinking about going solar, one of your biggest questions is likely: how much electricity can a solar panel actually produce? This in-depth guide breaks down the numbers, the factors that influence ...

---

## How Much Energy Does A Solar Panel Produce? , EnergySage

How much power does a solar panel produce? About 97% of home solar

panels included in EnergySage quotes today have power output ratings between 400 and 460 watts.



Our Lifepo4 batteries can be connected in parallel and in series for larger capacity and voltage.



## How Much Electricity Do Solar Panels Produce? A Full Guide

On average, a residential solar panel generates between 250 and 400 watt-hours under ideal conditions, translating to roughly 1 to 2 kWh per day for a standard panel. However, actual solar panel ...

## Contact Us

For catalog requests, pricing, or partnerships, please visit:  
<https://scelto.co.za>

