

How to turn off home solar power generation

Modular design,
unlimited combinations in parallel

BUILT-IN DUAL FIRE PROTECTION MODULE



Overview

To disable solar energy production when not required, follow these steps: **a. Turn off the solar inverter; b. Disconnect all circuits from the electrical supply; c. Consult with professionals for safe disconnection. Understanding how to safely turn off your solar panels is crucial for maintenance, emergencies, and ensuring the longevity of your solar power system. Have you ever wondered how and why solar panels need to be powered off?

What are the situations when we switch down them?

Yes, we restart the panels in certain situations like any other electronic device.

How to turn off home solar power generation

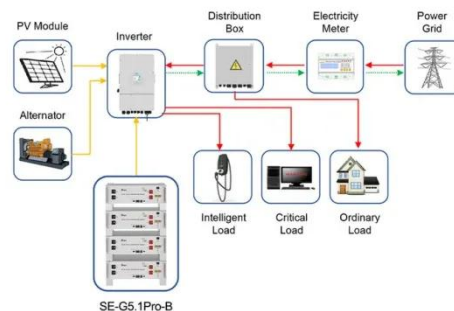
How to Disconnect Solar Panels



Whether preparing for a few days away, facing a storm warning, or simply performing maintenance, understanding the proper steps to disconnect your solar panels safely is crucial. This article outlines ...

How to Safely Turn Off Solar Panels , Step-by-Step

In this video, we provide a clear and simple, step-by-step guide on how to turn off your solar panels safely to avoid electrical hazards, prevent damage, and keep your system running



Application scenarios of energy storage battery products

Energy storage(KWH)

102.4kWh

Nominal voltage(Vdc)

512V

Outdoor All-in-one ESS cabinet

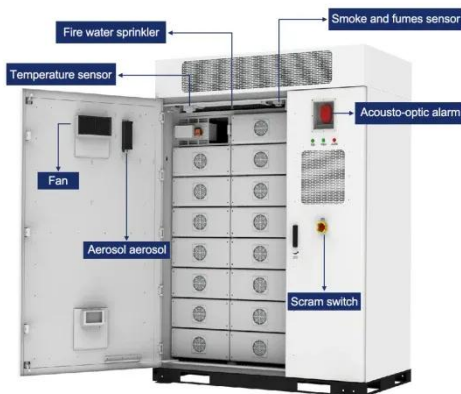


How to Turn Off Solar Panels?

Need to shut down your solar panels? Follow our easy and safe steps to power down your solar system for maintenance or emergencies.

How To Turn Off A Solar Panel (emergency + Maintenance)

To disable solar energy production when not required, follow these steps: **a. Turn off the solar inverter; b. Disconnect all circuits from the electrical ...



How To Turn Off A Solar Panel (emergency + Maintenance)

Solar panels can be turned off at the switchboard if there is a secondary switch for your solar system. Otherwise you need to disconnect the cables, but be careful not to short circuit your ...

How to Turn Off Solar Panels for Cleaning: A Step-by-Step Guide

Start by locating the disconnect switches; this is crucial for your peace of mind. Next, turn off both the DC and AC disconnects, and don't forget to power down the inverter. These steps not ...



How To Disconnect Solar Panels in 8 Steps , Today's ...

Learn how to safely disconnect solar panels with our step-by-step guide, covering essential tools, safety precautions, and installation tips.



How To Safely Turn Off Your Solar Panels

You should contact a professional if you're uncomfortable performing these steps or your system's manual advises against it. Here's a general guide on how to safely turn off your solar panels and ...



Residential Solar Energy System Disconnection Tips

Knowing how to shut down your solar equipment safely protects your home, family, and first responders. This guide provides a straightforward, step-by-step approach to manually ...

How To Safely Turn Off Your Solar Panels

You should contact a professional if you're uncomfortable performing these steps ...



51.2V 300AH

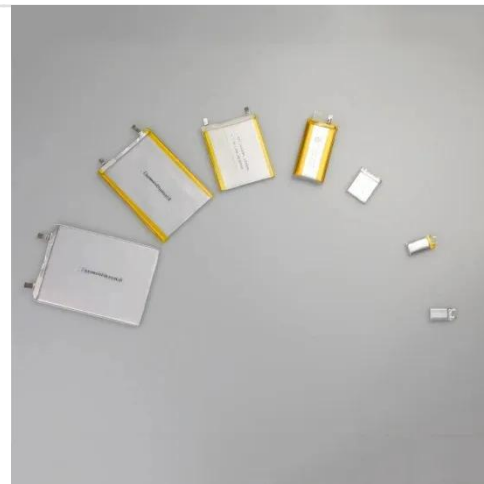


How to Turn Off Solar Panels

Today in this blog we learn about what are the steps to carefully turn off solar panels manually. PV panels can be disconnected at the AC side of the switchboard. They are turned off ...

How to turn off solar energy when it is no longer needed

To disable solar energy production when not required, follow these steps: **a. Turn off the solar inverter; b. Disconnect all circuits from the electrical supply; c. Securely isolate the system from ...



Contact Us

For catalog requests, pricing, or partnerships, please visit:
<https://scelto.co.za>

