

Huawei Poland Energy Storage System Factory



Overview

GoldenPeaks Capital and Huawei Polska will develop 500 MWh of grid-forming battery storage across Central and Eastern Europe; Huawei provides its all-scenario energy platform while GoldenPeaks handles site development, construction and operations. Poland's dynamic solar market is undergoing a significant transformation, shifting its focus from pure generation to the critical areas of energy storage and intelligent management. Huawei will provide its grid-forming. -GoldenPeaks Capital (GPC), one of the largest leading independent power producers in Central Eastern Europe, and Huawei Polska Sp., have signed a Memorandum of Understanding (MoU) on a Battery Energy Storage System (BESS) cooperation.

Huawei Poland Energy Storage System Factory



Huawei Poland energy storage power generation solar panels

Poland's dynamic solar market is undergoing a significant transformation, shifting its focus from pure generation to the critical areas of energy storage and intelligent management.

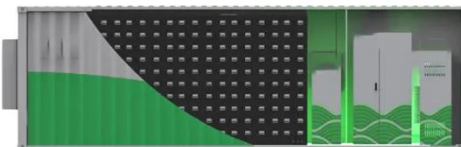
Huawei. GoldenPeak sign MoU for 500MWh of European BESS

GoldenPeaks Capital (GPC) and Huawei Polska have signed a Memorandum of Understanding (MoU) on a Battery Energy Storage System (BESS) cooperation focusing on 500MWh grid-forming BESS in ...



GoldenPeaks-Huawei 500MWh grid-forming battery storage deal

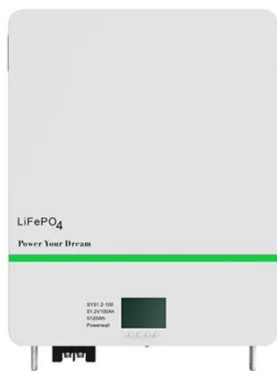
GoldenPeaks Capital and Huawei sign major grid-forming battery storage agreement for Central Europe. 500MWh BESS deployment targets renewable energy grid stability in Poland and Hungary.



The latest large-scale electricity

storage facility from Huawei

At Targi Kielce, for the first time in Poland, the company presented the latest industrial energy storage with a capacity of 2 MWh. Huawei's presence at the ENEX, one of the largest industry events in the ...

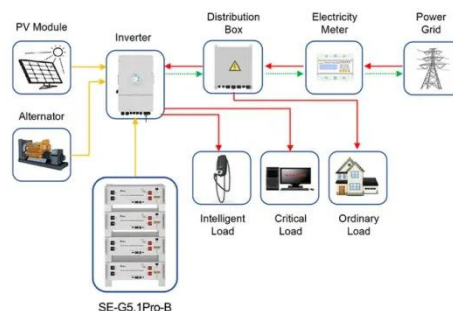


Poland solar energy storage: Huawei's Unique 2024 Plan

The collaboration is expected to have a significant impact on the development of Poland's renewable energy sector. By promoting storage adoption, the partnership helps create a more resilient and ...

GoldenPeaks Capital and Huawei Polska Partner on 500 MWh Grid ...

GoldenPeaks Capital (GPC) and Huawei Polska have formalized a Memorandum of Understanding (MoU) to deploy 500 MWh of grid-forming battery energy storage systems (BESS) across ...



Application scenarios of energy storage battery products

GoldenPeaks and Huawei to Deploy 500 MWh BESS in Europe

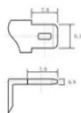
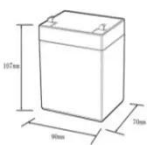
GoldenPeaks Capital and Huawei Polska Sp. z o.o. have signed a memorandum of understanding to collaborate on 500



MWh of battery energy storage systems (BESS) projects in Central and Eastern Europe.

Poland's largest battery-based energy storage facility is developed in

The project received the first energy storage promise in Poland and a contract in the capacity market from 2029. The storage facility will stabilise the energy system, supporting the integration of RES ...



12.8V6Ah

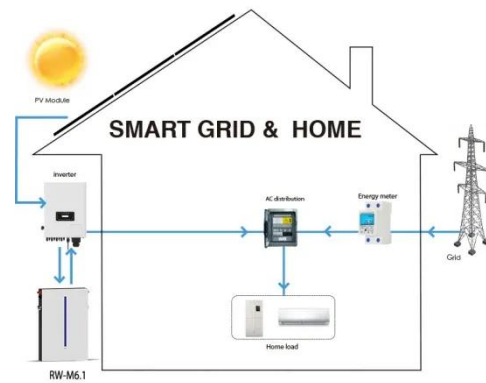
Nominal voltage (V):12.8
 Nominal capacity (ah):6
 Rated energy (Wh):76.8
 Maximum charging voltage (V):14.6
 Maximum charging current (a):6
 Floating charge voltage (V):13.6-13.8
 Maximum continuous discharge current (a):10
 Maximum peak discharge current @10 seconds (a):20
 Maximum load power (W):100
 Discharge cut-off voltage (V):10.8
 Charging temperature (°C):0-+50
 Discharge temperature (°C):-20-+60
 Working humidity: <95% R.H (non condensing)
 Number of cycles (25 °C, 0.5C, 100%doD): >2000
 Cell combination mode: 32700-4s1p
 Terminal specification: T2 (6.3mm)
 Protection grade: IP65
 Overall dimension (mm):50*70*107mm
 Reference weight (kg):0.7
 Certification: un38.3/msds

GoldenPeaks, Huawei form energy storage partnership in Europe

Central and Eastern Europe-focused renewable energy firm GoldenPeaks Capital said today it has joined forces with the Polish arm of Chinese technology company Huawei to execute battery storage ...

GoldenPeaks Capital and Huawei sign MoU for 500 MWh of battery storage

GoldenPeaks Capital and Huawei in Poland have signed a memorandum of understanding for 500 MWh of battery energy storage systems (BESS) in Central and Eastern Europe. Huawei will provide its grid ...



Contact Us

For catalog requests, pricing, or partnerships, please visit:
<https://scelto.co.za>

