

# Hydropower energy storage power generation



## Hydropower energy storage power generation

---

To Strive forward No Energy Waste



- ✓ All in one
- ✓ 100~215kWh High-capacity
- ✓ Intelligent Integration

### Pumped Storage

Pumped storage hydropower enables greater integration of other renewables (wind/solar) into the grid by utilizing excess generation, and being ready to produce power during low wind and solar ...

### Pumped storage hydropower: Water batteries for solar and wind

Pumped storage hydropower (PSH) is a form of clean energy storage that is ideal for electricity grid reliability and stability. PSH complements wind and solar by storing the excess electricity they create ...



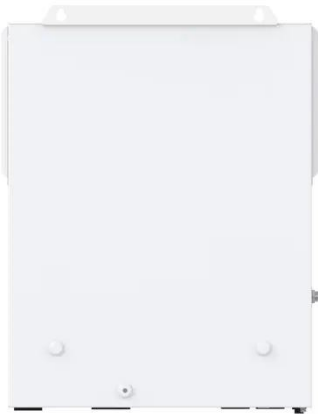
### Pumped Storage Hydropower

What is Pumped Storage Hydropower? Pumped storage hydropower (PSH) is a type of hydroelectric energy storage. It is a configuration of two water reservoirs at different elevations that can generate ...

### Hydraulic storage and power

## generation

We can distinguish three types of hydroelectric power stations capable of producing energy storage: the power stations of the so-called "lake" hydroelectric schemes, the power stations ...



## Hydroelectric Power Generation

Hydroelectric power generation is a method of storing the potential energy of water by installing dams on rivers and other means, and using this energy to rotate water turbines to generate ...

## Pumped storage hydropower operation for supporting clean energy ...

Pumped storage hydropower provides energy storage for power systems, ancillary grid services and water management, but also has economic and environmental impacts.



## Hydropower explained

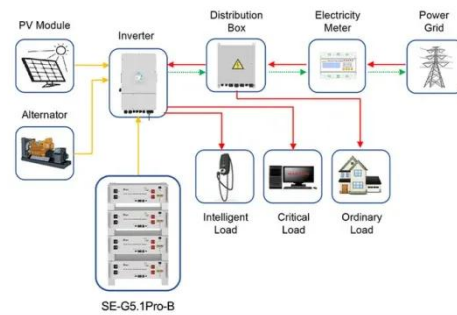
Storage systems, where water accumulates in reservoirs created by dams on streams and rivers and is released through hydro turbines as



needed to generate electricity. Most U.S. hydropower facilities have dams and ...

### Storage Hydropower

Storage hydropower plants include a dam and a reservoir to impound water, which is stored and released later when needed. Water stored in reservoirs provides flexibility to generate electricity on demand and reduces ...



Application scenarios of energy storage battery products

### Contact Us

For catalog requests, pricing, or partnerships, please visit:  
<https://scelto.co.za>

