

Intelligent Photovoltaic Folding Container for Scientific Research Stations



Intelligent Photovoltaic Folding Container for Scientific Research St

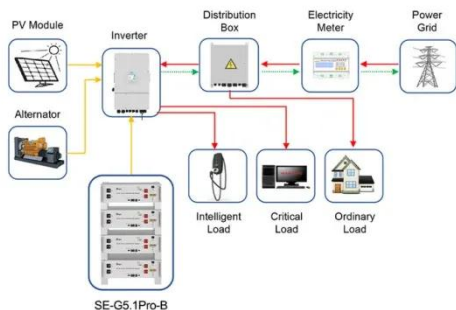


Solarcontainer: The mobile solar system

Our pioneering and environmentally friendly solar systems: Folded solar panels in a container frame with corresponding standard dimensions, easy to unfold thanks to a sophisticated rail system and no ...

Mobile Solar Container Systems , Foldable PV Panels , LZY Container

LZY Solar Containers use proprietary folding panel technology to maximize power generation while maintaining standard shipping dimensions. Our systems are faster to deploy, generate more power ...



Application scenarios of energy storage battery products

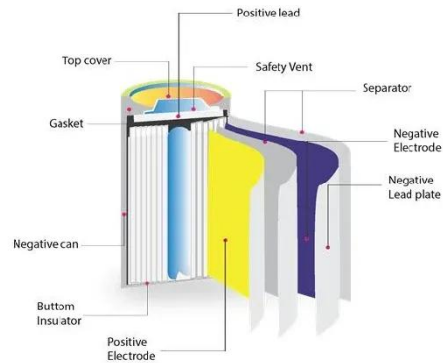
Mobile Solar PV Container , Portable Photovoltaic Power Station

High-efficiency Mobile Solar PV Container with foldable solar panels, advanced lithium battery storage (100-500kWh) and smart energy management. Ideal for remote areas, emergency rescue and ...

Automatic Photovoltaic Folding

Container for Scientific Research ...

The containerized mobile foldable solar panel is an innovative solar power generation device that combines the portability of containers with the renewable energy



Solar container Solarfold motorized , ECOSUN innovations

The container integrates 196 photovoltaic modules that can be electrically deployed and retracted in less than 30 minutes. The aluminum rail system, both lightweight and environmentally friendly, ensures a ...

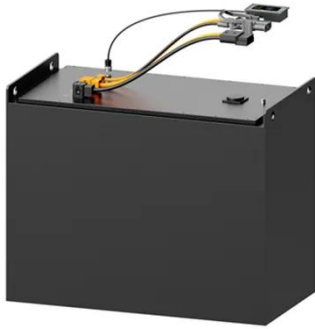
Container Foldable Photovoltaic Panels --Portable Power Generation ...

These panels usually use high-efficiency thin-film solar technology, which is light, flexible and easy to fold. The panels can be folded inside the container for easy transportation and storage, ...



ALUMERO systems -- solarfold

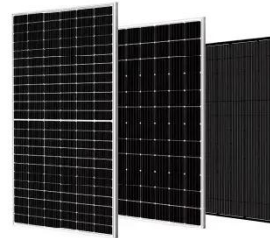
The innovative and mobile solar container contains 200 photovoltaic modules with a maximum nominal



output of 134 kWp and, thanks to the lightweight and environmentally friendly aluminum rail system, ...

LUYANG PHOTOVOLTAIC INTELLIGENT SOLAR CONTAINER ...

The project will be connected to the grid in August 2022, with an annual generating capacity of about 1.9 million KWH. a?, The power station has an installed capacity of 3 million kilowatts, with over 5.9 ...



High-efficiency folding containers for power stations

What is the Huijue Foldable Solar Container? The Huijue Foldable Solar Container is a self-contained transportable photovoltaic energy station that integrates high-efficiency n

Containerized foldable photovoltaic power station

Through a sophisticated track-pulley system and winding mechanism, these PV panels can be unfolded or folded like

an accordion and stored inside the container.



Contact Us

For catalog requests, pricing, or partnerships, please visit:
<https://scelto.co.za>

