

Is there photovoltaic power generation in the communication base station battery



Is there photovoltaic power generation in the communication base s



Site Energy Revolution: How Solar Energy Systems Reshape Communication

While solar energy is transforming communication base stations, there are still challenges to overcome. Variability in sunlight, initial setup costs, and maintaining battery efficiency ...

Photovoltaic equipment in the battery base room of a ...

Solar power supply systems for communication base stations have a wide range of applications, covering fields such as microwave relay systems, mobile or Unicom highway relay



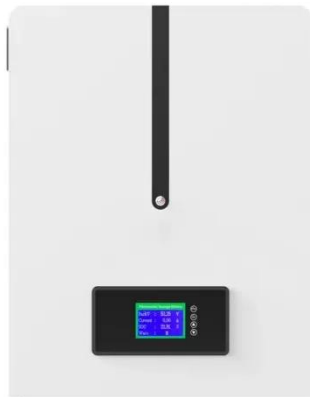
Photovoltaic + Energy Storage for Communication Base Stations: A

Summary: This article explores how integrating photovoltaic (PV) systems with energy storage can revolutionize power supply for communication base stations. Learn about cost savings, reliability ...

Site Energy Revolution: How Solar

Energy ...

While solar energy is transforming communication base stations, there are still challenges to overcome. Variability in sunlight, ...



Solar Power Supply System For Communication Base Stations: ...

The solar power supply system for communication base stations is an innovative solution that utilizes solar photovoltaic power generation technology to provide electricity for communication base stations.

COMMUNICATION BASE STATION SOLAR POWER GENERATION

Malawi Wind and Solar Energy Storage Power Station Located in the Dedza district of Malawi near the town of Golomoti, the 20MWac solar PV and 5MW/10MWh energy storage project is set to become a ...



Solar Power Plants for Communication Base Stations: The Future of ...

Meta description: Discover how solar

power plants are revolutionizing communication base stations with 40% cost savings and 24/7 reliability. Explore real-world case studies, technical ...



COMMUNICATION BASE STATION BACKUP POWER

The communication base station installs solar panels outdoors, and adds MPPT solar controllers and other equipment in the computer room. The power generated by solar energy is used by the DC load ...



Telecom Base Station PV Power Generation System Solution

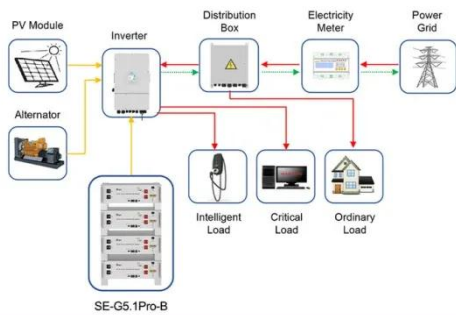
The communication base station installs solar panels outdoors, and adds MPPT solar controllers and other equipment in the computer room. The power generated by solar energy is used by the DC load ...



Solar power generation solution for communication base stations

Are solar cellular base stations transforming the telecommunication

industry? are important issues affecting the telecommunication industry. Companies such as Airtel, Glo etc believe that the solar ...



Application scenarios of energy storage battery products

How Solar Energy Systems are Revolutionizing Communication Base

Communications companies can reduce dependency on the grid and assure a better and more stabilized power supply with the installation of photovoltaic and solar equipment.

Contact Us

For catalog requests, pricing, or partnerships, please visit:
<https://scelto.co.za>

