

Marshall Islands communication base station uninterrupted photovoltaic power generation system manufacturer



Overview

The project helped Marshall Energy Company to upgrade the existing No. 1 power station, build a roof and reservoir floating photovoltaic power generation system, and provide it with an additional battery energy storage system to support the new photovoltaic power generation system. The objective of the Sustainable Energy Development Project is to increase the share of renewable energy generation and enhance the reliability of electricity supply and improve energy efficiency in the Marshall Islands. The project, implemented by MEC, has a budget of \$34 million and a lifespan. · The most widely used roof PV power station belongs to BAPV system; BIPV system integrates the technology of solar PV module power generation products into the building and · The independent photovoltaic power generation system, also known as off-grid photovoltaic power. The Marshall Islands Sustainable Energy Development Project is located in Majuro, an atoll of the Ratak Archipelago of the Marshall Islands in the Western Pacific, which is the capital of the Marshall Islands. The Majuro area includes about 60 small islands with a total land area of 10 square. Majuro, Marshall Islands – The RMI is taking a significant step towards a sustainable energy future through the Renewable Energy Generation and Access INcrease (REGAIN) project, generously funded by the World Bank (WB).

Marshall Islands communication base station uninterrupted photov...



Solar Hybrid System Project in marshall

The project helped Marshall Energy Company to upgrade the existing No. 1 power station, build a roof and reservoir floating photovoltaic power generation system, and provide it with an additional battery ...

Solar ESS Success Story

Introduce the pure solar energy system, focusing on replacing traditional diesel power generation to meet essential needs such as agriculture, cooling, and lighting, while enhancing local energy ...



LPSB48V400H
48V or 51.2V



Marshall Islands communication base station uninterrupted ...

The project helped Marshall Energy Company to upgrade the existing No. 1 power station, build a roof and reservoir floating photovoltaic power generation system, and provide it with an



Marshall Islands power station portable solar

The project helped Marshall Energy Company to upgrade the existing No. 1 power station, build a roof and reservoir floating photovoltaic power generation system, and provide it with an additional battery ...



Harnessing Solar Power in the Marshall Islands Photovoltaic Solutions

As a low-lying island nation vulnerable to climate change, the Marshall Islands is turning to solar panels and photovoltaic power generation to reduce fossil fuel dependence.

Marshall Islands , Global Sustainable Energy Islands Initiative

The government of the Marshall Islands has implemented extensive solar energy projects to electrify homes, workplaces and other facilities. These projects have assisted the Marshall Islands in ...



Marshall Islands Shared Energy Storage Power Station: ...

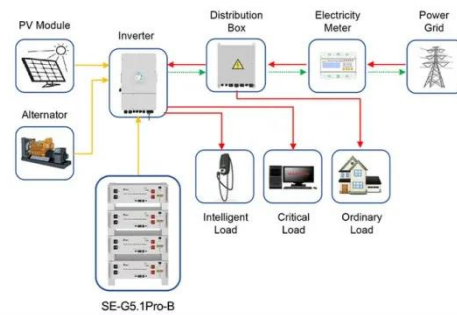
As island nations grapple with climate change and energy security, the Marshall Islands shared energy storage



power station emerges as a groundbreaking solution.

Marshall Islands communication base station energy storage system

Marshall Islands Border Communications Photovoltaic Base Station The 100kW/215kWh energy storage system efficiently utilizes photovoltaic power generation for charging and energy storage during ...



Application scenarios of energy storage battery products



PRESS RELEASE: Islands of Hope - Renewable Energy Empowers Marshall

This innovative project aims to enhance energy infrastructure in some of the most remote islands of the Pacific, bringing reliable and clean electricity to communities that have long struggled ...

National Energy Office

All required materials for the floating solar PV plant at the MWSC water reservoirs have been received in Majuro.

Demolition of gensets 3 and 4 under the EPC contract has begun at the MEC power plant.



Contact Us

For catalog requests, pricing, or partnerships, please visit:
<https://scelto.co.za>

