

Mobile Energy Storage Battery Cabinet for Fire Stations

Lithium battery parameters

Product capacity: 100Ah

Product size: 135*197*35mm

Product weight: 1.82kg 197mm
/7.7in

Product voltage: 3.2V

internal resistance: within 0.5



Mobile Energy Storage Battery Cabinet for Fire Stations

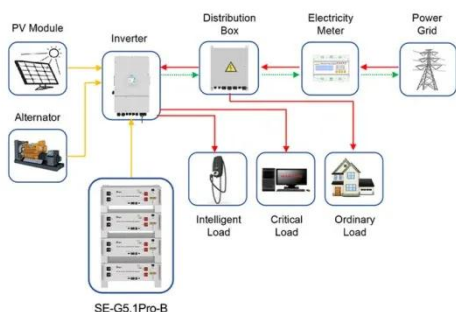


Safely Store Batteries in Lithium-Ion Battery Charging and Storage

Use the chart below to identify the energy of your batteries and how many can be in the Justrite lithium-ion battery charging cabinet at one time. Keep your batteries easily accessible while they charge in a safe and ...

CellBlock Battery Fire Cabinets

CellBlock Battery Storage Cabinets are a superior solution for the safe storage of lithium-ion batteries and devices containing them. Our practical, durable cabinets are manufactured from aluminum, and lined with ...



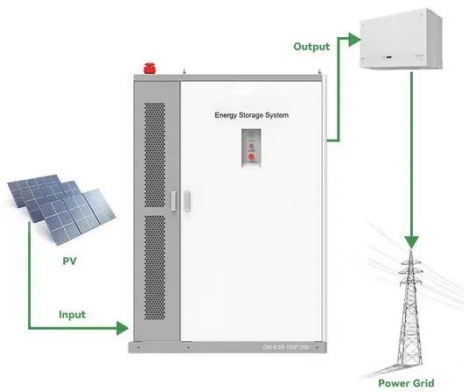
Application scenarios of energy storage battery products

Lithium Ion Battery Charging Cabinets

Use the chart below to identify the energy of your batteries and how many can be in the Justrite lithium-ion battery charging cabinet at one time. Keep your batteries easily accessible while they charge in a safe and ...

Mobile Energy Storage Systems

Mobile energy storage systems can be deployed to provide backup power for emergencies or to supplement electric vehicle charging stations during high demand, or used for any other application where ...



Lithium-ION Battery Storage Cabinets

Asecos safety storage cabinets are specifically designed to house lithium-ION batteries by providing a minimum of 90-minute protection against any fire or explosion, either external to or internal to the cabinet.

Safely Store Batteries in Lithium-Ion Battery Charging ...

Use the chart below to identify the energy of your batteries and how many can ...



Energy Storage Equipment, Energy storage solutions, Lithium battery

To cope with the problem of no or difficult grid access for base stations, and in line with the policy trend of

energy saving and emission reduction, Huijue Group has launched an innovative base station energy ...



Battery cabinets

Here you will find a large selection of battery cabinets - both fire-resistant safety cabinets / fire protection cabinets, but also simple battery charging cabinets without dedicated fire protection.



Lithium-ion Battery Cabinets DENIOS

Explore our range of lithium-ion cabinets, meticulously engineered with cutting-edge fireproof battery storage technology, ensuring a secure and reliable solution for energy storage.

Mobile Battery Storage & Portable Energy Cabinets , Topband Mobile

Empower your operations with Topband's mobile energy storage system and portable energy storage solutions. Our energy storage cabinets and energy

storage battery cabinets deliver flexible energy ...



Fire-Safe Storage: Do You Really Need a Battery Cabinet?

Yes, a battery cabinet is essential for fire-safe storage because it helps prevent fires, explosions, and property damage. Proper storage keeps batteries upright, away from flammable materials, heat, and ...

Contact Us

For catalog requests, pricing, or partnerships, please visit:
<https://scelto.co.za>

