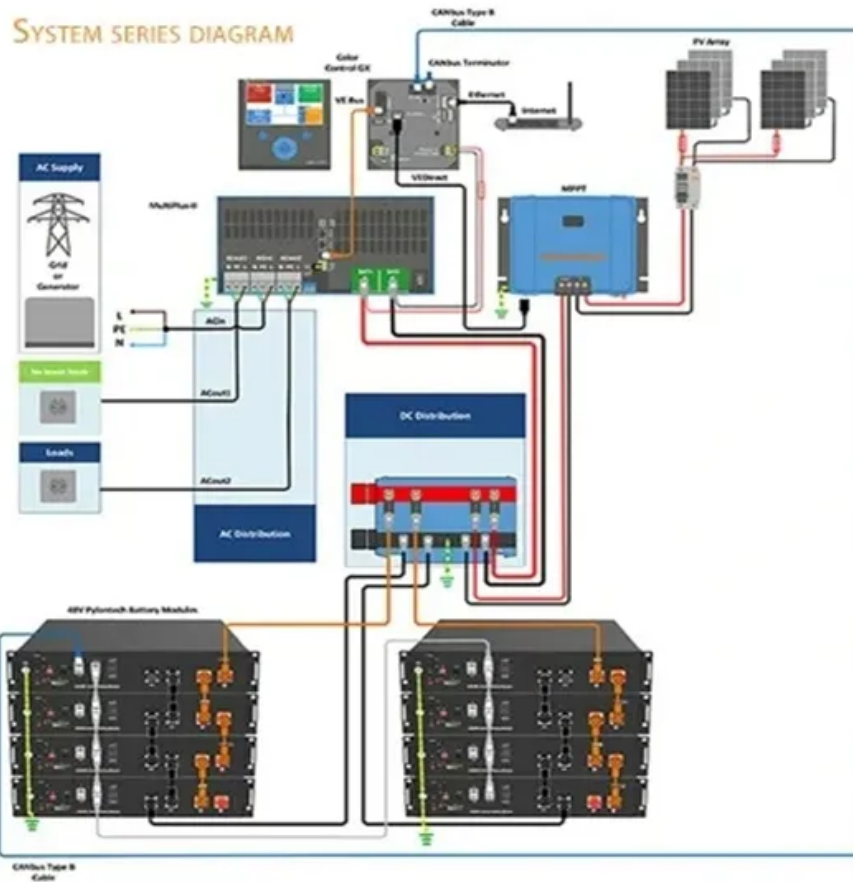


Myanmar electricity rates



Overview

The residential electricity price in Burma (Myanmar) is MMK 75. These retail prices were collected in June 2025 and include the cost of power, distribution and transmission, and all taxes. The Maximum Electricity Generation on 2 July 2024 is 2224. Public Announcement from Ministry of Electricity and Energy changes to electricity rates The electricity rates across Myanmar will be amended to the following rates, outlined in the. To balance the cost of electricity generation, an "economic rate" will be set for industries and businesses, and the new electricity tariff will be charged at 900 kyats per unit starting from this February, said Union Minister for Electric Power U Nyan Tun during a meeting with officials from. The residential electricity price in Burma (Myanmar) is MMK 75. Except where otherwise noted, content on this site is licensed under a Creative Commons Attribution 4. Official and up-to-date data of Myanmar for all years of statistics, in an easy-to-read format. Under the announcement made by the Ministry, the tariff will not be significantly higher for. The electricity rate will be amended as of September, according to an announcement by the Ministry of Electric Power on August 30th. Since electricity is essential for socio-economic development and the economic progress of the state, the ministry is upgrading existing power plants and the national.

Myanmar electricity rates



'Economic Rate' introduced as new electricity tariff of 900 kyats per

To balance the cost of electricity generation, an "economic rate" will be set for industries and businesses, and the new electricity tariff will be charged at 900 kyats per unit starting from this February, ...

Consumer electricity prices , Myanmar - yearly data, chart and table

Official and up-to-date data of Myanmar for all years of statistics, in an easy-to-read format. Analysis of consumer electricity prices with advanced tools for comparisons, trends, shares, and various metrics.



Product Details



Myanmar revises passport fees, electricity rates effective Sept 1

According to the agreement of the Union Cabinet Meeting No.5/2024 held on J, the electricity rates will be 50 kyats for household use from 1 to 50 units, 100 kyats from 51 to 100 units, 150 ...

Myanmar junta announces higher charges for electricity

Myanmar junta announces higher charges for electricity With households and businesses already struggling due to rising prices, the military council announced increases between 40 and 180 percent in the ...



Republic of the Union of Myanmar Ministry of Electric ...

Thamended electricity bill rates will come into force effective from 1 September 2024.

New Electricity Rates: Amendment of electricity

The electricity rate will be amended as of September, according to an announcement by the Ministry of Electric Power on August 30th.



Myanmar junta revises electricity tariffs to over two-fold high on

The Military Council's Ministry of Electric Power announced they would revise electricity tariffs from 1 September onwards. Both domestic use and

commercial use will be hiked to a more than two-fold high.



Myanmar electricity tariff to increase

Starting from September electricity tariffs are set to increase significantly for Myanmar businesses and households.



Burma (Myanmar) electricity prices

The residential electricity price in Burma (Myanmar) is MMK 0.000 per kWh or USD . These retail prices were collected in June 2025 and include the cost of power, distribution and transmission, and all taxes and fees. ...

Contact Us

For catalog requests, pricing, or partnerships, please visit:
<https://scelto.co.za>

