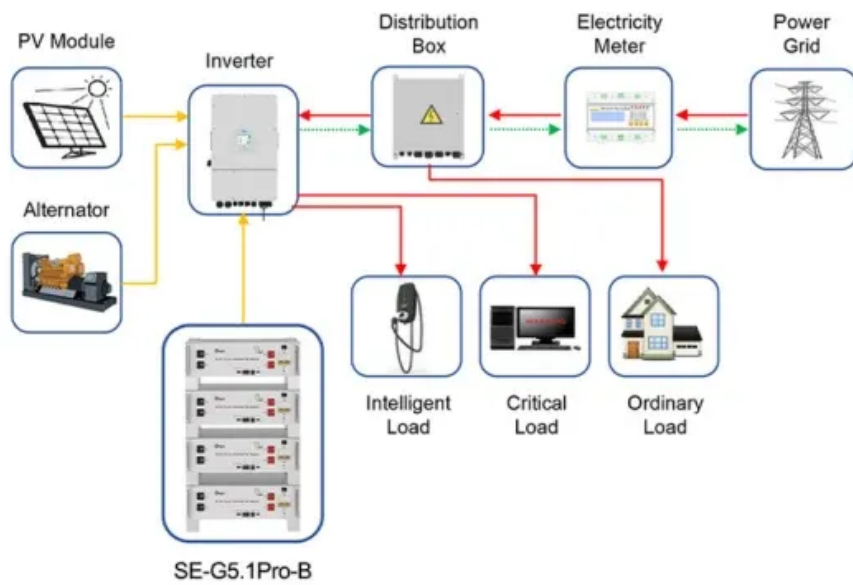


Park Solar Power Generation Procurement



Application scenarios of energy storage battery products



Overview

Procurement in solar electric power generation is a complex, multi-layered process. It involves scouting for high-quality equipment, managing vendor relationships, negotiating contracts, and ensuring that the supply chain aligns perfectly with project timelines. This issue brief has been designed for those individuals overseeing procurement for the local government they serve with the specific goal of helping them develop successful Requests for Proposals (RFPs) for solar energy systems. 1 Under an EPC Contract, a Contractor is obliged to deliver a complete facility to the Project Company. The Project Company needs only to turn a key to start. The Jamaican government is seeking 100 MW of renewables to diversify its energy grid, with independent power producers to generate this capacity through wind, solar, and hydro projects recommended under power purchase agreements (PPAs), according to tender documents. For the Solar Energy Systems Project Manager, the challenge is not only to oversee state-of-the-art solar installations. Jack Rankin, Miguel Valderrama and Brian Knowles of Pexapark explore how hybrid PPAs are becoming a favoured solution for structuring deals that capture the full value of both assets In the world of power infrastructure, we may broadly define “co-located” assets as those that share a single. GPE says the 100 MW renewable energy tender aims to contribute to the national goal of raising renewable energy share in power mix to 50% by 2030. (Photo Credit: Wirestock Creators/Shutterstock. com) The Jamaican government has invited bids.

Park Solar Power Generation Procurement

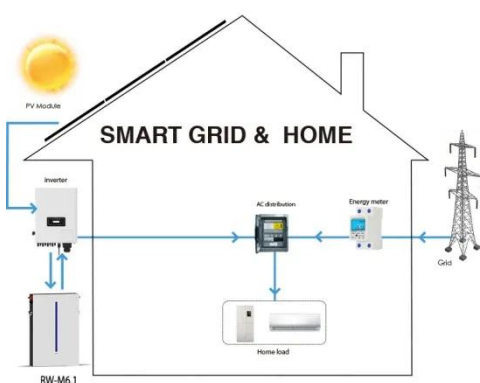
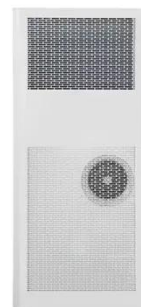


Hybrid power purchase agreements for renewable generation co ...

Although various co-location schemes could be devised in this context, there is one which has gained great relevance in recent times: the co-location of renewable energy generation (RES) - especially ...

Solar Project Manager: Procurement and Supply Chain Management

Solar electric power generation relies on a complex supply chain that spans manufacturing, transportation, storage, and installation. Effective supply chain management is crucial as it impacts ...



Jamaica Diversifying Power Generation Mix

The Jamaican government has invited bids for the supply of up to 100 MW renewable energy capacity under a tender launched by the Generation Procurement Entity (GPE). The sole ...

Steps to a Successful Solar Request

for Proposal (RFP)

Readers will learn about the essential elements of a solar RFP, receive introductory guidance on how to evaluate any proposals received, and be directed toward tools, resources, and sample documents ...



Renewable Energy Contract Development Best Practices

The purpose of this RFP template is to provide guidance for the procurement of solar PV. This template contains information on project background, scope of work, proposal ...

Proposals & Solicitations , US EPA

Learn about the essential elements of a solar RFP; receive introductory guidance on how to evaluate any proposals received; and be directed towards tools, resources, and sample ...



Optimizing Procurement in Solar Electric Power Generation

Discover data analytics strategies to enhance procurement and supply chain management in solar electric power generation.

Energy storage(KWh)

102.4kWh

Nominal voltage(Vdc)

512V

Outdoor All-in-one ESS cabinet



Procurement and Supply Chain Management in Solar Electric Power

...

In this article, we explore how business intelligence and data analytics are transforming procurement processes, optimizing supply chains, and ultimately paving the way for a robust and sustainable solar ...



EPC contracts in the solar sector

Contracts are the most common form of contract used to undertake construction works on utility-scale solar projects by the private sector.¹ Under an EPC Contract, a Contractor is obliged to deliver a ...

Jamaica seeks proposals for 100 MW of renewables

51 MW Paradise Park solar plant in Jamaica. The Jamaican government's

Generation Procurement Entity has released tender documents inviting domestic and foreign proposals for utility

...



Contact Us

For catalog requests, pricing, or partnerships, please visit:
<https://scelto.co.za>

