

Photovoltaic panel nano coating market model



Photovoltaic panel nano coating market model



Renewable energy targets

The targets have evolved consistently since first established to help the EU reach its ambitious energy and climate goals.

Solar Panel Nano Coatings Strategic Insights for 2026 and ...

Explore the booming Solar Panel Nano Coatings market, forecast at \$16.8 billion with a 16.5% CAGR. Discover key drivers, trends, restraints, and regional growth impacting renewable ...



Renewable Energy Directive

The renewable energy directive is the legal framework for the development of renewable energy across all sectors of the EU economy, and supports cooperation across EU countries.

Photovoltaic Coating Market Size, Trends, Forecast 2025-35

Comprehensive insights into the Photovoltaic Coating Market's future trends, technological advancements, key applications, and industry challenges for the next decade. Stay ahead with ...



European Solar Charter

In 2023, the solar photovoltaic sector in the EU and globally saw the prices of the panels plummet from ca. 0.20 EUR/W to less than 0.12 EUR/W. This unsustainable situation is weakening ...

European Solar Charter

The European Solar Charter, signed on 15 April 2024, sets out a series of voluntary actions to be undertaken to support the EU photovoltaic sector.



Solar Panel Nano Coatings Market Size, Share & Future Trends ...

The Solar Panel Nano Coatings Market shows steady growth with CAGR of 14.8% from 2024 to 2033, rising from USD 1.2 billion to USD 3.5 billion.



Global Solar Panel Nano Coatings Market Research Report 2025

The Solar Panel Nano Coatings market size, estimations, and forecasts are provided in terms of output/shipments (Kiloton) and revenue (\$ millions), considering 2024 as the base year, with history ...



 LFP 280Ah C&I



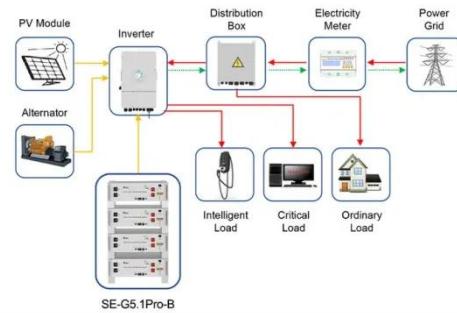
Solar Panels Coatings Market Size, Share, Growth 2026-2035

The solar panels coatings market was USD 4.06 Billion in 2025 and may hit USD 31.15 Billion by 2035 at a 22.60% CAGR.

Solar energy

In 2024, the EU output of photovoltaic electricity accounted for 11% of the EU's gross electricity output, according to Ember. Continued growth in the solar

energy sector is expected in the coming decades, ...



Application scenarios of energy storage battery products



5 things you should know about solar energy

Solar energy is one of the world's most abundant and easily accessible sources of renewable power. But how well do you know it? Several distinct technologies harness the sun's ...

Solar Panel Coatings Market Growth, Size and Forecast Report ...

Solar Panel Coatings Market Size 2024-2028 The solar panel coatings market size is forecast to increase by USD 3.84 billion at a CAGR of 13.8% between 2023 and 2028. The market is ...



Solar Panel Nano Coatings Market Business Intelligence: ...

The Solar Panel Nano Coatings Market Research Report delivers a sharp, evidence-based assessment of market

size, growth trajectories, and emerging shifts that will impact your strategic ...



In focus: Solar energy - a shining star of Europe's clean transition

A range of solar technologies are available to harness the sun's energy in different ways. Solar photovoltaic (PV) panels, comprised of individual solar cells, convert sunlight into electricity. ...



Photovoltaic Coating Market Analysis , Market Research Future

The Photovoltaic Coating Market was valued at USD 102.11 billion in 2024 and is projected to reach USD 179.46 billion by 2035, growing at a CAGR of 5.26%.



Solar Panel Nano Coatings Market Size, Trends, Evaluation

Solar Panel Nano Coatings Market Insights Solar Panel Nano Coatings Market Size Revenue was valued at USD 1.5 billion in 2024 and is estimated to

reach USD 3.8 billion by 2033, growing at a ...



Solar energy in buildings

The revised Energy Performance of Buildings Directive will speed up the uptake of solar photovoltaics and solar thermal - both on residential and non-residential buildings - and increase the possibilities ...

Solar Panel Nano Coatings Market

What are the primary cost-benefit factors driving commercial adoption of solar panel nano coatings? Adoption of solar panel nano coatings is driven by measurable improvements in energy efficiency ...



Commission supports European photovoltaic manufacturing ...

The charter sets out a series of voluntary actions to be undertaken to support the EU photovoltaic sector.



Contact Us

For catalog requests, pricing, or partnerships, please visit:
<https://scelto.co.za>

