

Photovoltaic smart combiner box



Photovoltaic smart combiner box

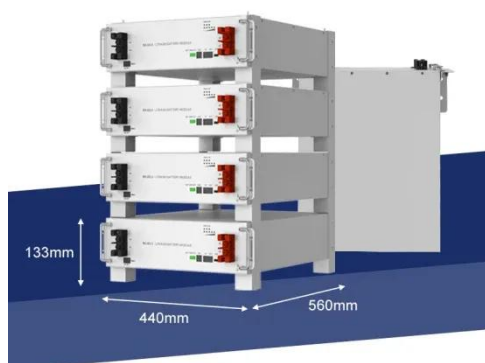


Photovoltaics

Photovoltaics (PV) is the conversion of light into electricity using semiconducting materials that exhibit the photovoltaic effect, a phenomenon studied in physics, photochemistry, and electrochemistry. The ...

Boost Solar ROI: The 2025 Combiner Box Guide

It provides a strategic solution that organizes chaotic wiring into a single, protected hub for all solar strings. A combiner box is more than a simple enclosure; it is the primary defense for ...

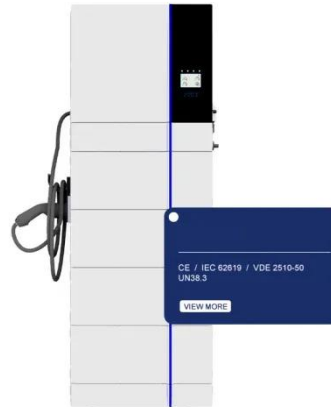


Solar Combiner Box: The Ultimate Buying Guide

Engineers can quickly select solar combiner boxes with different voltages and materials. In a typical photovoltaic (PV) power generation system, the combiner box is located between the module array ...

Photovoltaics and electricity

A photovoltaic (PV) cell, commonly called a solar cell, is a nonmechanical device that converts sunlight directly into electricity. Some PV cells can convert artificial light into electricity. ...



Everything You Need to Know About PV Combiner Box

Thinking about expanding your solar power system? Then it's time to get familiar with a key component that keeps things running smoothly--the PV Combiner Box. It's more than just a ...

How Do Solar Cells Work? Photovoltaic Cells Explained

The conversion of sunlight, made up of particles called photons, into electrical energy by a solar cell is called the "photovoltaic effect" - hence why we refer to solar cells as "photovoltaic", or PV ...



What is Smart PV Array Combiner Box? Uses, How It Works

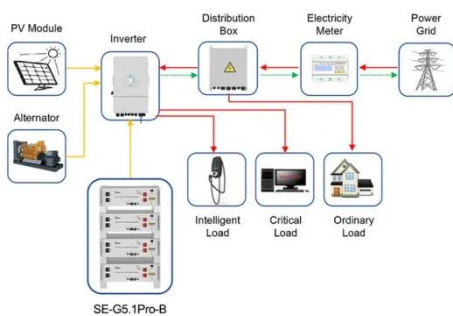
Definition of a Smart PV Array Combiner Box. A Smart PV Array Combiner Box is an advanced electrical device used in

solar power systems to combine multiple strings of photovoltaic ...



Photovoltaics - SEIA

Photovoltaic (PV) devices generate electricity directly from sunlight via an electronic process that occurs naturally in certain types of material, called semiconductors.



Application scenarios of energy storage battery products

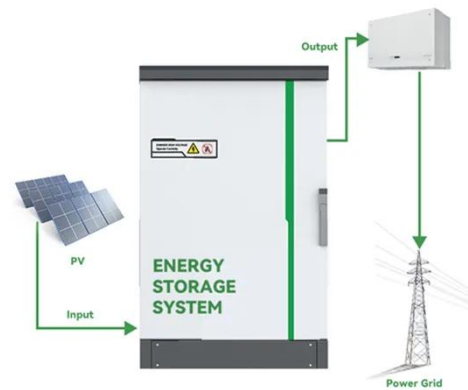
What Are Photovoltaics? (2026) , ConsumerAffairs®

Photovoltaic technology lets you generate electricity from a renewable source: the sun. Unlike traditional methods of electricity generation, which often rely on fossil fuels, photovoltaics

AWG x CHEMIK Combiner Box Solutions

One of the most critical components supporting this reliability on the DC side of the system is the combiner box. Combiner boxes aggregate the output

from multiple photovoltaic (PV) strings and ...



Smart combiner box design resources , TI



Our integrated circuits and reference designs help you accelerate development of a smart combiner box, providing protection and performance monitoring for your commercial- and utility-scale solar power ...

Understanding PV Combiner Boxes: Design, Function, Protection, and

A complete guide to PV combiner boxes, covering structure, safety protection, monitoring, IP ratings, selection principles, and future smart trends. Learn how advanced combiner ...



What Is a Combiner Box in a Solar Panel System? Complete Guide

Multiple PV strings enter on separate positive and negative inputs. The box merges them to one or two main

DETAILS AND PACKAGING



- 1 USER MANUAL PDF
- 2 RJ45 Cable For RS485/CAN
- 3 Battery in Parallel Cables
- 4 RJ45 TO USB Monitor Cable
- 5 M8 Terminal*4

outputs. This reduces cable runs to the inverter and keeps the roof clean. I also size the ...

Photovoltaics (PV)

Photovoltaic systems work by utilizing solar cells to convert sunlight into electricity. These solar cells are made up of semiconductor materials, such as silicon, that absorb photons from ...



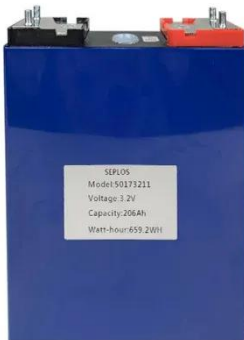
7 Best Solar Panel Junction Boxes For Secure Connections That Pros

This one changes the conversation from a central box to distributed intelligence. The Tigo TS4-A-O isn't a combiner box in the traditional sense; it's a smart device that replaces the standard junction box on ...

The Ultimate Guide to Solar Combiner Boxes: From Basics to ...

Explore the comprehensive guide to PV Solar Combiner Boxes: Learn about types, components, selection criteria,

installation best practices, maintenance, and advanced technologies. ...



Photovoltaics

Photovoltaics is one of the fastly growing technology whose applications demand the exact knowledge of solar insolation, its components and their exact changing behaviour over days and even hours.

Solar PV Energy Factsheet

Solar energy can be harnessed two primary ways: photovoltaics (PVs) are semiconductors that generate electricity directly from sunlight, while solar thermal technologies use sunlight to heat water for ...



Photovoltaics , Department of Energy

Photovoltaic (PV) technologies - more commonly known as solar panels - generate power using devices that absorb energy from sunlight and convert

LPSB48V400H
48V or 51.2V



it into electrical energy through
semiconducting ...

Contact Us

For catalog requests, pricing, or partnerships, please visit:
<https://scelto.co.za>

