

Photovoltaic support for hillside



Photovoltaic support for hillside



Is it good to install photovoltaic panels on a hillside

Bifacial solar panels represent a significant advancement in photovoltaic technology, offering the potential to capture sunlight from both their front and rear surfaces.

Can solar panels ground mounted on hillside

This post explains how to install solar panels on a hillside, and listed the advantages of ground-mounted solar panels.



✓ TELECOM CABINET

✓ BRAND NEW ORIGINAL

✓ HIGH-EFFICIENCY



Photovoltaic support design for hillside

Flexible photovoltaic (PV) support structure offers benefits such as low construction costs, large span length, high clearance, and high adaptability to complex terrains.

Solar Panels for Hillside Homes: Costs & Considerations

Learn about the costs and considerations of installing solar panels for hillside homes, including benefits, challenges, and long-term savings.



Why Your Photovoltaic Panel Installation Needs That Perfect Hillside

Turns out, they instinctively seek optimal sun exposure - and your photovoltaic panels should too. Recent NREL studies reveal panels installed on 15-40° slopes generate 12-18% more energy than ...

Steel pile solar ground mounting, Pile ground mounting system

High quality Aluminum/Galvanized Steel Ground Solar Panel Mounting Structure
 Hot Tags : solar power system pv mounting bracket ground support frame steel solar mount stand solar farm structure pv plant



- IP65/IP55 OUTDOOR CABINET
- IP54/55
- OUTDOOR ENERGY STORAGE CABINET
- OUTDOOR BATTERY CABINET

CN205545093U

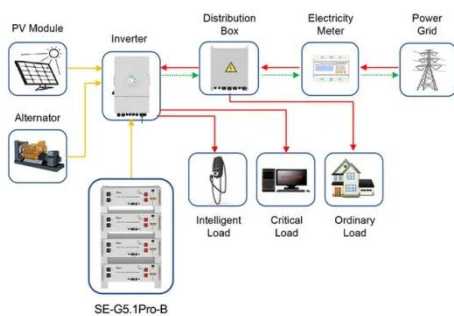
This utility model relates to a kind of photovoltaic bracket, a kind of hillside

formula photovoltaic support structure.



How to build photovoltaic solar energy on a hillside

Bolded text indicates significant insights into establishing photovoltaic solar energy systems on hillside properties. Engaging in thorough planning and evaluation leads to successful ...



Application scenarios of energy storage battery products

Hillside photovoltaic flexible support construction plan

In this paper, we mainly consider the parametric analysis of the disturbance of the flexible photovoltaic (PV) support structure under two kinds of wind loads, namely, mean

Solar Ground Mounting System for Slope (Hillside)

MRac slope (hillside) ground solar mounting system is suitable for slope concrete roof or slope land solar PV projects, with strong wind load and snow

load resistance. The mounting system
can ...



Contact Us

For catalog requests, pricing, or partnerships, please visit:
<https://scelto.co.za>

