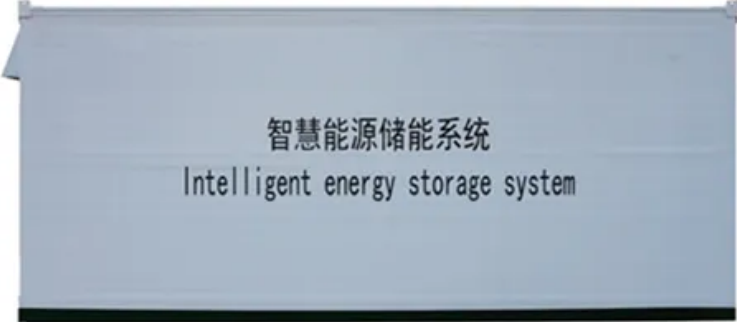


Price of small energy storage cabinets for use on Indian islands



智慧能源储能系统
Intelligent energy storage system



Overview

Prices for new energy storage charging cabinets typically range from \$8,000 to \$45,000+ depending on three key factors: "The average price per kWh dropped 17% since 2022, making 2024 the best year for storage investments." - Renewable Energy Trends Report Let's examine two actual. GSL ENERGY provides comprehensive off-grid and hybrid power solutions that integrate solar generation, lithium battery storage, and intelligent energy management to deliver clean, uninterrupted power 24/7. From tropical islands to remote coastal villages, many beautiful destinations around the. What is the price of a small energy storage cabinet?

The price of a small energy storage cabinet varies significantly based on several factors, including brand, capacity, technology, and additional features. They assure perfect energy management to continue power supply without interruption. Cycle Life: A 6,000-cycle lithium battery may cost 30% more.

Price of small energy storage cabinets for use on Indian islands

18650 3.7V
RECHARGEABLE BATTERY
Li-ion
2000mAh



Solar Battery Storage Cabinet

The LZY solar battery storage cabinet is a tailor-made energy storage device for storing electricity generated through solar systems. They assure perfect energy management to continue power supply without interruption.

Are Energy Storage Cabinets Worth It

Energy storage cabinets are becoming essential for homes and businesses seeking backup power, energy independence, and lower electricity bills. This article explains what an energy storage cabinet is, how it ...



Battery Cabinet For Sale, Electrical Storage Cabinet Manufacturer

ECE Energy: Your go-to for electrical storage cabinets! Our battery cabinets for sale offer top quality at great prices. Boost your solar system with our durable, affordable solutions. Leading manufacturer of electrical ...

Energy Storage Enclosures/Cabinets

, Modular Design to Meet Diverse

Our battery storage cabinets are constructed with a modular design, providing optimal flexibility for businesses across various sectors. Our power storage cabinets also adhere to safety and quality standards such as UL, ...



Island Energy Storage Solutions , Off-grid Solar Battery Systems for

Looking for clean, reliable power for islands or remote areas? GSL ENERGY offers custom island energy storage solutions with solar lithium battery systems. Perfect for island resorts, homes, schools & ...

What is the price of a small energy storage cabinet?

In summary, selecting a small energy storage cabinet involves careful consideration of various elements that contribute to pricing, including technology, capacity, and additional installation costs.



Integrated energy storage cabinets

To use an integrated energy storage cabinet, install batteries and related equipment into designated

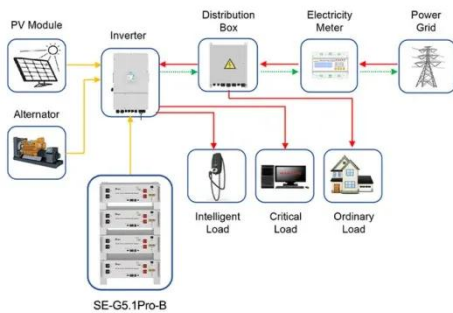
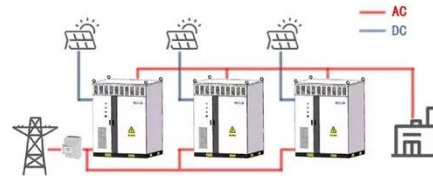
compartments. The cabinet provides a centralized and secure storage solution for energy storage ...



New Energy Storage Charging Cabinet Price List: 2024 Cost Guide

GLASHAUS POWER - Wondering how much a modern energy storage charging cabinet costs? This comprehensive guide breaks down pricing factors, industry benchmarks, and emerging trends for commercial ...

WORKING PRINCIPLE



Application scenarios of energy storage battery products

Energy Storage Cabinets Durable Efficient Amp Scalable

Large-scale price quote for telecom energy storage cabinets used on Indian islands Let the XPRTs do the work for you. Let the XPRTs do the work for you. Battery Chemistry: Lithium-ion dominates with \$150-\$250/kWh ...

LiHub , HAIKAI Energy

Perfect for renewable energy projects, EV charging stations, remote areas, islands, and critical facilities, the LiHub-H

ensures reliable, efficient, and flexible power storage.



Contact Us

For catalog requests, pricing, or partnerships, please visit:
<https://scelto.co.za>

