

# Solar inverter inductor safety rating

20 ft container



40 ft container



## Overview

---

It is published in two parts and establishes the minimum inverter safety requirements to protect against electrical shock, fire, and other potential hazards throughout the product's lifespan. This section of the standard applies to all types of power conversion equipment connected. This guide breaks down the key IEC standards governing PV inverters, focusing on IEC 62109, and explains how it fits within the broader ecosystem of ESS safety regulations. The function of inverter is commonly referred to as the anti-islanding. Department of Energy (DOE) benchmark of \$0. Power optimizers emerged as a hybrid solution, combining the benefits of string inverters and microinverters.

## Solar inverter inductor safety rating

---



### Safety Standards and Regulations for Solar Power Plant Inverters

To ensure that inverters meet the specified safety and performance standards, they must undergo rigorous testing and certification procedures. Independent testing laboratories conduct ...

---

### Ultimate Guide: IEC Standards for PV Inverters and ESS Safety

The IEC standards for PV inverters and ESS safety, led by IEC 62109, create a robust foundation for building secure and dependable renewable energy systems. This standard ensures ...



### Photovoltaic Inverter Reliability Assessment

In summary, this paper develops and validates a detailed electrothermal model of an inverter is with the development of a homegrown inverter to make the model scalable. From this validated model, an ...

---

## Global Solar Inverter Safety and

## Compliance Guide

Discover essential safety and compliance tips for solar inverters in our comprehensive guide, ensuring reliable performance and peace of mind in your solar projects



### SAFETY WHEN OPERATING INVERTERS

Effects can range from a barely perceptible tingle to severe burns and immediate cardiac arrest. Although it is not known the exact injuries that result from any given amperage, the following TABLE ...

### How to Ensure Solar Inverters Meet IEC Standards

In this article, we will explore how to ensure solar inverters meet IEC standards, discuss related certification protocols, and explain how compliance impacts system efficiency and safety.



### Safety Standards for Photovoltaic Inverters: A Comprehensive Guide

...

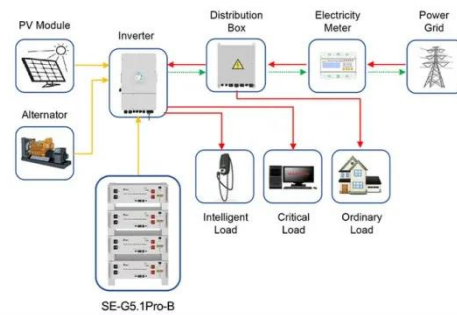
Safety Standards for Photovoltaic Inverters: A Comprehensive Guide for



Solar Professionals Discover why compliance with safety standards is non-negotiable for modern solar installations - and how it ...

### Photovoltaic inverter inductor safety rating

An improved switched inductor based quasi-single stage transformerless inverter with four switches is presented and analysed here. The inverter features double grounded to solve



Application scenarios of energy storage battery products



### Solar Inverter Safety: Standards and Best Practices

Compliance with safety standards and regulations: Solar inverters are designed and manufactured to comply with various safety standards and regulations. This includes adherence to ...

### Field Insights on 3-Phase Inductors for Solar Projects in Utility-Scale

How should EPCs select the right inductor rating for large-scale solar inverters? Selecting the correct inductor

rating requires analyzing peak inverter currents, system voltage, and harmonic spectrum.



---

## Contact Us

---

For catalog requests, pricing, or partnerships, please visit:  
<https://scelto.co.za>

