

Solar panels 100 square meters



Solar panels 100 square meters



Maximizing Energy Efficiency with 100 Square Meters of Solar Panels:

...

Summary: Installing 100 square meters of photovoltaic (PV) panels can transform energy consumption for homes and businesses. This guide explores system design, cost-benefit analysis, and real-world ...

How Many Solar Panels Fit in One Square Meter? The Ultimate Guide

Here's the deal - you can typically fit between 80W to 200W of solar capacity per square meter, depending on your roof type. Let me explain why this range matters:



How much does a 100 square meter solar panel cost?

The cost of a 100 square meter solar panel system varies based on several factors, including location, type of panels used, installation requirements, and current market conditions.

Solar-Estimate

Audited calculation engine Over 3 million visitors a year What you will learn using the Solar-Estimate calculator 1 How many solar panels are needed to power your home 2 How many square feet of ...

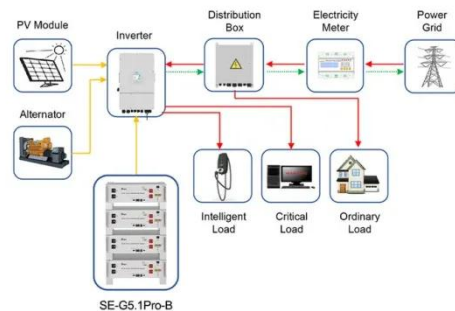


Solar Rooftop Calculator , Solar Panel Calculator

Online Solar Roof Top Calculator Calculates the number of solar panels, kilowatt capacity, daily unit production, and require area in Square Meter as well as Square Feet based on the average monthly ...

How Many Solar Panels Fit in 100 Square Meters? A 2025 Installation

Meta Description: Discover how many photovoltaic panels fit in 100 square meters, with 2025 efficiency trends, installation case studies, and actionable calculations.

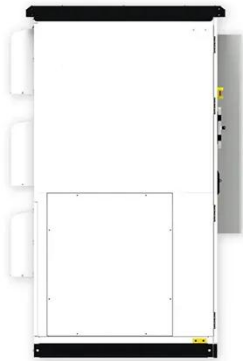


Application scenarios of energy storage battery products

Solar Power Per Square Meter Calculator

Calculate solar panel energy output per square meter. Get accurate daily, monthly, and annual production

estimates based on location, panel specs, and system losses.



Solar Energy Generation Per Square Metre: A Complete Guide

In this guide, we'll explore how much solar power can be harnessed per square metre, how solar panels work, the factors that impact their efficiency, and the home solar system cost.



How many photovoltaic panels are suitable for 100 square meters

The average solar panel has an input rate of roughly 1000 Watts per square meter, while the majority of solar panels on the We estimate that a typical home needs between 17 and 21 solar ...

Solar Panel Output Per Square Meter

Discover how much electricity solar panels generate per square meter, explore efficiency factors, technology comparisons, and future innovations in

photovoltaic energy.



Contact Us

For catalog requests, pricing, or partnerships, please visit:
<https://scelto.co.za>

