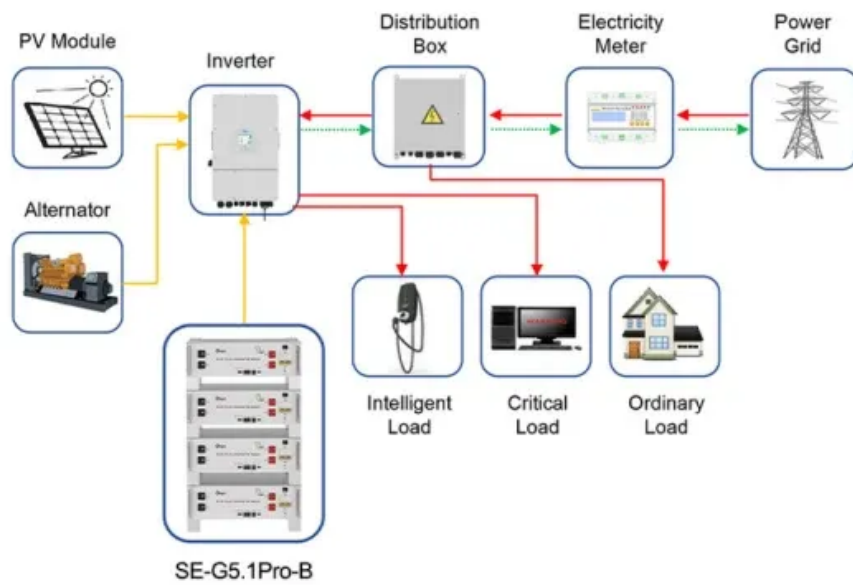


Solar photovoltaic panel waste glass



Application scenarios of energy storage battery products



Overview

A significant portion of framed silicon-based solar panel waste is glass, approximately 67-76%. Ensuring effective recycling of this glass is not only crucial for minimizing the environmental impact but also for achieving circular economy goals, a big value renewable energy investors are looking. This review explores the potential of integrating glass waste from PV panels into cementitious materials, focusing on its impact on their mechanical, thermal, and durability properties. Among the key challenges in PV recycling is the separation of glass, a major component that accounts for up to 70% of a panel's weight. Advanced glass separation equipment plays a

Solar photovoltaic panel waste glass



Beyond Recycling: Reducing Waste from Solar

More than 85% percent of a solar photovoltaic (PV) module is made of materials we already know how to recycle, like aluminum and glass. However, solar panel recycling--and ...

Photovoltaic Glass Waste Recycling in the Development of Glass

Because of the increasing demand for photovoltaic energy and the generation of end-of-life photovoltaic waste forecast, the feasibility to produce glass substrates for photovoltaic application by ...



Sustainable Management of Photovoltaic Waste Through Recycling ...

This review explores the potential of integrating glass waste from PV panels into cementitious materials, focusing on its impact on their mechanical, thermal, and durability properties.



Solar Panel Recycling Process

Explained

Solar panel recycling is a multi-step industrial process that separates glass, aluminum, silicon, copper, silver, and polymers from end-of-life photovoltaic modules using mechanical, thermal, ...



Guide for Ensuring Solar Glass Recycling Happens for Your PV Panels

Currently, there are no specific federal mandates requiring the recycling of solar panels or their components, including solar glass. There are, however, counties and certain states, like Washington, ...

How To Remove Glass From Waste Solar Panels?

Mechanical crushing is a common method for dealing with waste photovoltaic panels. The solar panel glass removal machine is used to mechanically remove the glass layer on the waste photovoltaic ...



A comprehensive review on recycling end of life solar photovoltaic panels

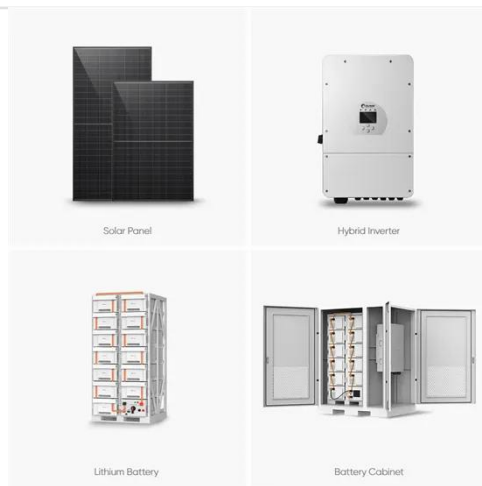
This review outlines solar panel



structures, evaluates current EoL recycling processes, and presents industrial-scale methodologies, emphasizing the need for sustainable solutions to ...

What Is Solar Panel Glass Recycling? , Okon Recycling

Glass, which constitutes approximately 76% of a solar panel's weight, can be completely recovered and reused in new panel production. This circular approach reduces raw material costs ...



Innovations in Solar Glass Recycling for Sustainable Energy Solutions

As older installations reach the end of their life cycle, the volume of solar panel waste is expected to surge. Each panel is composed of valuable materials like aluminum, silicon, and glass, ...

Detailed Explanation of the Operating Steps of Glass Separation

Among the key challenges in PV recycling is the separation of glass, a major component that accounts for up to

70% of a panel's weight. Advanced glass separation equipment plays a ...



Contact Us

For catalog requests, pricing, or partnerships, please visit:
<https://scelto.co.za>

