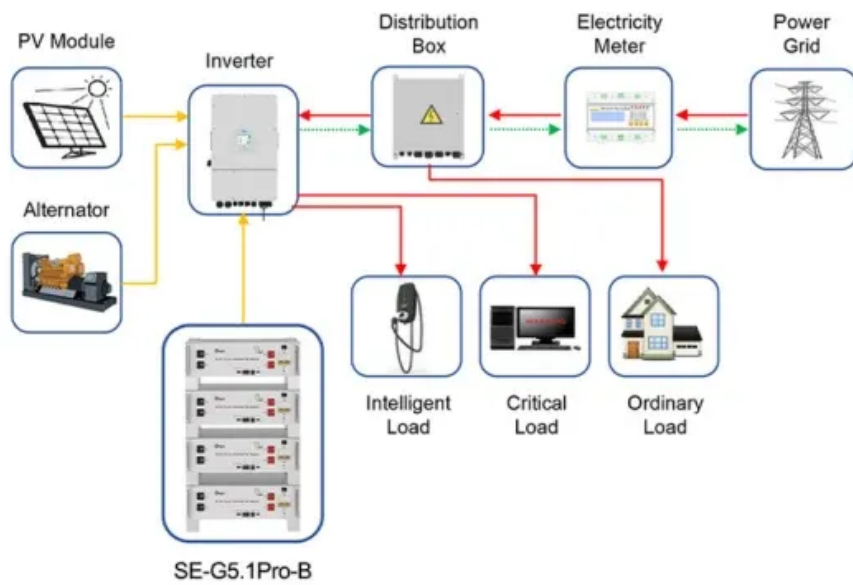


# Solar power generation glass house supplier



Application scenarios of energy storage battery products

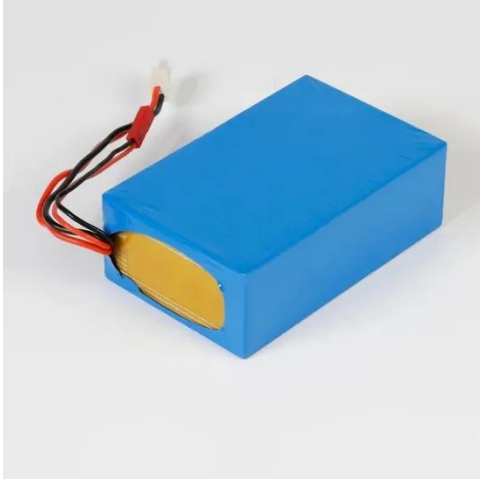


## Overview

---

This article will list out top 10 photovoltaic glass manufacturers in China to help further understand the development of these manufacturers in the photovoltaic glass industry. com Overview:. Single building installation can avoid 2. 2 million miles of CO<sub>2</sub> vehicle pollution; 12-times more than solar. Photovoltaic glass is a special glass product that meets the packaging requirements of photovoltaic modules. Explore our full catalogue available in PDF or as an AUDIOBOOK. At Onyx Solar, we. Shanghai JINSUN New Energy Technology Co. is a renowned and highly respected manufacturer and agent of new energy equipment in China. We specialize in wind power generation systems, photovoltaic power generation systems, wind-solar hybrid power generation systems, battery energy storage. ZOOM SOLAR is a new energy and advanced materials enterprise specializing in the R&D and production of cadmium telluride (CdTe) and perovskite thin-film solar cells. Under China's Dual Carbon Goals (carbon peaking and neutrality), the company has strategically positioned itself by focusing on BIPV.

## Solar power generation glass house supplier



### **BIPV Glass Manufacturer , Photovoltaic (BIPV) Solutions , Gain Solar**

Gain Solar is a pioneer in solar tiles in China, so if you need BIPV products, consider Gain Solar! We offer a range of BIPV (building integrated photovoltaic) solar panels that can be perfectly integrated ...

### **Solar Power Glass , Solar Glass , Solar PV Panels**

Power Glass transforms your glass facade to a renewable energy system, which in turn will enhance your green building ratings. We are a company offering transparent and opaque solar glass panels ...



### **Converting Sunlight to Electricity with Clear Solar Glass**

ClearVue is providing solutions to decarbonization in the construction industry by bringing clear solar glass with measurable carbon benefits to the market.

## Top 10 Solar Powered Glass Manufacturers in the China 2026

It is usually divided into cover glass for conventional photovoltaic modules, cover and back glass for double glass modules, and TCO glass for thin film modules. Our website has ...



### Onyx Solar, Building Photovoltaics Solutions

Onyx Solar is the global leader in manufacturing photovoltaic glass for buildings. We develop solutions for the integration of photovoltaic solar energy into buildings (BIPV).

### High-end Solar Sail& Ruimo& Zhimo Customized Wholesale From ...

A dedicated company specialized in the research and production of a Solar Sail. The main products of this company include certain products for Solar Sail, Ruimo, Zhimo.



### ?Power Generating Glass? Manufacturer, ?BIPV Building Power ...

ZOOM SOLAR is a new energy and advanced materials enterprise

specializing in the R& D and production of cadmium telluride (CdTe) and perovskite thin-film solar cells.



---

## **BIPV Glass, Building Integrated Photovoltaic/PV , Evergreen**

Unlock the power of sunlight with Evergreen's BIPV Glass - the future of energy-efficient buildings! Discover how BIPV glazing, solar, and systems seamlessly integrate into your architecture, slashing ...

## **GRADE A BATTERY**

LiFePO4 battery will not burn when overcharged, over discharged, overcurrent or short circuited and can withstand high temperatures without decomposition.



---

## **Contact Us**

For catalog requests, pricing, or partnerships, please visit:  
<https://scelto.co.za>

