

Solar power station bracket specifications



Overview

This guide is here to give you the lowdown, so you can choose the right PV panel bracket that fits your needs, ultimately boosting your system's performance and making your renewable energy efforts more sustainable. Latest version of photovoltaic embedded bracket specificat adjustable photovoltaic support structure taic modules, mounting systems, inverters, power transfor er. Therefore its optimization may have different approaches. In this paper, the mounting system with a fixed tilt angle has been stu cally. The Renewable Energy Ready Home (RERH) specifications were developed by the U. Environmental Protection Agency (EPA) to assist builders in designing and constructing homes equipped with a set of features that make the installation of solar energy systems after the completion of the home's. If you get to know the different types of PV panel brackets out there and what they're best suited for, you'll be able to maximize your system's efficiency and reliability. Because of their self-weight,they can only be placed in the field and in areas with good foundations ssary for modeling and analysis of solar power systems. The general materials are aluminum alloy, carbon steel and stainless steel.

Solar power station bracket specifications

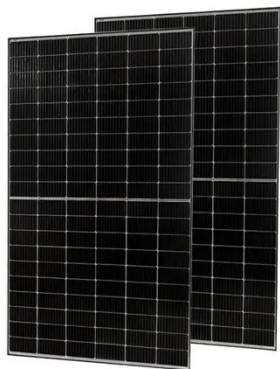


Specifications for mounting brackets in photovoltaic power stations

In order to ensure the safety of the long-term operation of solar power stations and reduce the chance of failure of the pad mounted transformer, it is necessary to start from the construction

Basic specifications for photovoltaic power generation brackets

ensuring the longevity and performance of a solar panel system. Solar panel brackets are an important part of the installation process and should be installed by a professional. The brackets must be ...

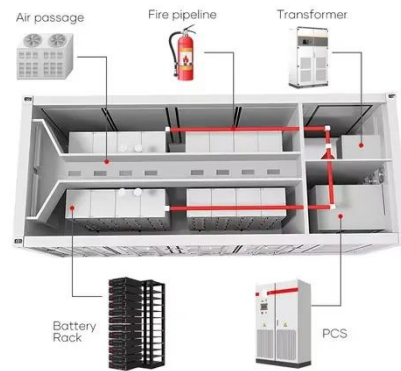


The Complete Guide to Choosing the Best Pv Panel Bracket for Your Solar

When you're picking out the right PV panel brackets for your solar setup, it's really important to get a good handle on your solar panel specs. These usually include things like the size, weight, and how ...

Solar Photovoltaic: SPECIFICATION, CHECKLIST AND GUIDE

The RERH specifications and checklists take a builder and a project design team through the steps of assessing a home's solar resource potential and defining the minimum structural and system ...



- TELECOM CABINET
- BRAND NEW ORIGINAL
- HIGH-EFFICIENCY

Photovoltaic bracket specifications download

Saving construction materials and reducing construction costs provide a basis for the reasonable design of photovoltaic power station supports, and also provide a reference for

Power station photovoltaic panel bracket specifications

Product description. The Solar Power Supply 100mm Z-shaped aluminum mounting bracket is suitable for a wall or roof mounting for a solar panel with an aluminum frame up to 150W.



Photovoltaic Panel Brackets: Essential Guide for Solar Installations

From material selection to installation precision, photovoltaic panel brackets play a crucial role in solar system

performance. By understanding technical requirements and market trends, you can make ...



Solar Photovoltaic: SPECIFICATION, CHECKLIST AND GUIDE

About the Renewable Energy Ready Home Specifications Assumptions of the RERH Solar Photovoltaic Specification Builder and Specification Limitations

- 1.5 Document the solar resource potential at the designated array location
- 3.3 Install a conduit for the AC wire run from the designated inverter location to the electric service panel
- 4.2 Record the name and Web address of the electric utility service provider
- 5.1 Landscape Plan
- 5.2 Placement of non-array roof penetrations and structural building elements

Appendix A: RERH Labeling Guidance

The Renewable Energy Ready Home (RERH) specifications were developed by the U.S. Environmental Protection Agency (EPA) to assist builders in designing and constructing homes equipped with a set of features that make the installation of solar energy systems after the completion of the home's construction easier and less expensive. The specifications See more on Images of Solar Power Station Bracket Specifications Installation Brackets For



Solar PanelsSolar Pannel BracketSolar Panel Support BracketsAdjustable Solar Panel Brackets SupplierBrackets For Solar PanelsSolar Panel Bracket InstallationMounting Brackets For Solar PanelsSolar Panel Holder BracketSolar Panel BracketsVEVOR Multi-Pieces Solar Panel Mounting Brackets 30°-60° Adjustable Shinefar Solar Energy Brackets - Reliable Mounting SolutionsSolar Brackets/PV Brackets for Flat Roof Solar Ballasted Mounting ECO Tilt Mount Brackets Complete Solar Panel Ground Solar Bracket Solar Panel Photovoltaic Mounting BracketsVEVOR Solar Panel Mounting Brackets Solar Panel Mounting Kit for Easy to Install Solar Mounting Aluminum Bracket Solar Power Plant 10kw 1MW Solar Panels System Structure Screw Rolling Ground Mounting Solar Panel Mounting Bracket Kit : Amazon .uk: Business, Industry Goomax Balcony Solar Power Plant Glass Balcony Brackets Custom Load Goomax Balcony Solar Power Plant Glass Balcony Brackets Custom Load See allsynwell

The Complete Guide to Choosing the Best Pv Panel Bracket for Your ...

When you're picking out the right PV panel brackets for your solar setup, it's really important to get a good handle on your solar panel specs. These usually include things like the size, weight, and how ...

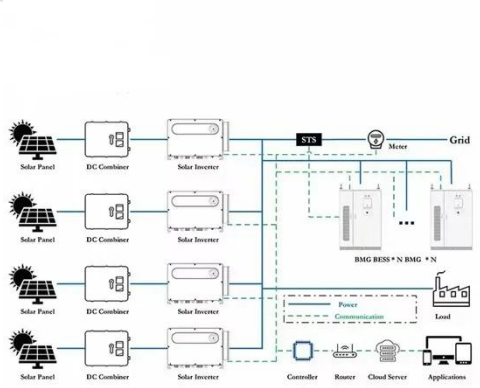
Latest version of photovoltaic embedded bracket specification



Types of Solar Panels Brackets. There are different types available, including railless brackets, and top-of-pole mounts, the specific type of bracket or clamp chosen

Photovoltaic power station bracket standard

This paper summarizes the commonly used forms of bracket foundations, analyzes their design points, and introduces the selection and design of several typical photovoltaic power station



Photovoltaic bracket specifications and standards

In addition, all brackets and tracking systems must meet certain standards of the project location, including structure, components, compression specifications, environmental

Contact Us

For catalog requests, pricing, or partnerships, please visit:
<https://scelto.co.za>

