

Spain Modular Energy Storage Cabinet 1200mm Deep



IP65/IP55 OUTDOOR CABINET

ALUMINUM

OUTDOOR ENERGY STORAGE CABINET

OUTDOOR EQUIPMENT CABINET



Spain Modular Energy Storage Cabinet 1200mm Deep



Spain Energy Storage Cabinet Factory, Energy Storage Enclosures

Find Customized PV Storage Cabinets from Professional Manufacturers Now
[Read more](#)

Energy Storage Enclosures/Cabinets , Modular Design to Meet ...

Our battery storage cabinets are constructed with a modular design, providing optimal flexibility for businesses across various sectors. Our power storage cabinets also adhere to safety and quality ...



Support Customized Product



Spain Energy Storage Cabinet Harness Market: Urban Growth

Technological advancements are at the forefront of transforming the Spain energy storage cabinet market, enabling localized manufacturing and supply chain resilience.

supplier of industrial energy storage

cabinets in port of spain

AnyGap, established in 2015, is a leading provider of energy storage battery systems, offering containerized large-scale energy storage systems, with a capacity of 2.72Mwh/1.6Mw, for industrial ...



Cabinet Energy Storage System , VREMT

Discover our high-efficiency, modular battery systems with zero capacity loss and rapid multi-cabinet response. Ideal for industrial, commercial, and emergency applications, our solutions offer remote ...

Spain Energy Storage Battery Cabinet 120kW , SPGSSOLAR

Discover how modular cabinet energy storage solutions are transforming Spain's renewable energy landscape while offering scalable power management for industries worldwide.



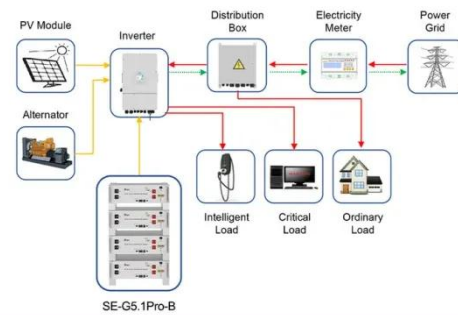
Spain Modular Energy Storage Cabinet

Durable & Cost-Effective Energy Storage Cabinets - Your Trusted Sheet Metal Supplier Read more



Vilion's Integrated Outdoor Battery Energy Storage Cabinets have ...

Vilion's Integrated Outdoor Battery Energy Storage Cabinets have been Shipped to Spain and Sweden
2024-01-31



Application scenarios of energy storage battery products



 LFP 12V 200Ah

Energy Storage Cabinet_SOFAR

Safety designs such as water and electricity separation, three-level fire protection + explosion venting + exhaust, liquid cooling + dehumidification design, all ensure the safety of the energy storage ...

Spain Industrial and Commercial Energy Storage Cabinet Market

The market landscape in Spain for industrial and commercial energy storage cabinets has experienced notable consolidation, with a handful of

key players commanding significant market ...



Contact Us

For catalog requests, pricing, or partnerships, please visit:
<https://scelto.co.za>

