

The largest inverter manufacturer in Kyrgyzstan



Overview

With 12 years of experience in renewable energy solutions, EK SOLAR specializes in manufacturing advanced inverters for residential, commercial, and industrial applications. Our Osh-based facility combines German engineering standards with local production advantages. Solar energy adoption is booming across Central Asia, and Kyrgyzstan's inverter market shows exciting growth. This guide ranks the most reliable manufacturers, analyzes key selection criteria, and reveals how businesses can optimize their renewable energy investments. With 12 years of experience in.

The largest inverter manufacturer in Kyrgyzstan

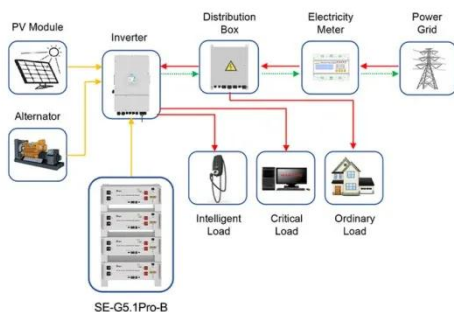


INVERTER AND ENERGY STORAGE MANUFACTURERS IN ...

TU Energy Storage Technology (Shanghai) Co., Ltd., founded in 2017, is a high-tech enterprise specializing in the research and development, production and sales of energy storage battery ...

18kW High-Quality Inverter Solutions in Osh, Kyrgyzstan: Powering

In Kyrgyzstan's bustling southern hub of Osh, reliable power solutions aren't just convenient - they're business-critical. The 18kW high-quality inverter has emerged as the go-to choice for commercial ...



Application scenarios of energy storage battery products

The largest inverter manufacturer in Kyrgyzstan

Solis is one of the world's largest and most experienced manufacturers of solar inverters supplying products globally for multinational utility companies, commercial & industrial rooftop

Leading Inverter Manufacturer in Osh Kyrgyzstan Powering ...

This article explores the thriving inverter manufacturing sector in Osh, highlights industry trends, and explains why businesses worldwide are turning to Kyrgyzstan for cost-effective, innovative solutions.



Kyrgyzstan: Inverters Market Report

The report provides a strategic analysis of the inverters market in Kyrgyzstan and describes the main market participants, growth and demand drivers, challenges, and all other factors, influencing the ...

Top Inverter Manufacturers in Kyrgyzstan 2023: Market Leaders

Solar energy adoption is booming across Central Asia, and Kyrgyzstan's inverter market shows exciting growth. This guide ranks the most reliable manufacturers, analyzes key selection criteria, and ...



Connect with Verified Inverters Buyers in Kyrgyzstan , Volza

Access 9 verified Inverters buyers in Kyrgyzstan with contact details, shipment history, import pricing &



supplier data. Updated through Nov 2025. Start with a free Inverters buyers list.

Solar Energy Equipment Manufacturer

Sunplus latest EV Charging Station product line offers a range of innovative solutions to meet diverse charging needs.

Modular design,
unlimited combinations in parallel
BUILT-IN DUAL FIRE PROTECTION MODULE



Kyrgyzstan Photovoltaic Inverter Market (2025-2031) , Industry

Off-grid inverters are also gaining traction, especially in remote areas where access to the main electricity grid is limited. Key market players in Kyrgyzstan include international inverter ...

Top Mobile Inverters OEM Suppliers in Kyrgyzstan

One of the biggest perks of the internet these days is you can now easily find these OEMs even in the comfort of your

home. With the help of a solar outsourcing marketplace such as SolarFeeds , ...



Contact Us

For catalog requests, pricing, or partnerships, please visit:
<https://scelto.co.za>

