

Utility-scale solar helsinki



Overview

Finland's large-scale solar capacity more than doubled in 2025, buoyed by the commissioning of the country's first solar projects larger than 50 MW. Another record year for ground-mounted solar is expected this year but a forthcoming Land Use Act risks threatening future. Finland deployed 227 MW of utility-scale solar last year, according to figures from Renewables Finland. A total of. Solar photovoltaics (PV) has seen increased global adoption and decreased costs in the latest decades. The increased adoption of solar power and other renewable energy sources has been associated with the stringent goals regarding the cutting of carbon emissions set forth by different countries and. Solar power is gaining momentum in Finland, and its role in our national energy mix will increase significantly in the coming years. Ramboll Finland Oy is not responsible for possible errors in the provided data. ROTTERDAM - 22 July 2024 - Having crossed the 1 GW mark of cumulative PV capacity last year, the Finish solar market finds itself on a steady growth path. Doubling from a 200 MW market in 2022 to a 400 MW market in 2023, the country is rapidly ramping up its annual volume and could reach as much as.

Utility-scale solar helsinki



A global investor and developer of renewable energy

Together with our local partners, we develop utility-scale solar, wind, and energy storage projects that drive meaningful financial returns and deliver renewable gigawatts transforming the global energy ...

Utility-scale solar power is growing - new Land Use Act brings risks

The current state and future of solar power in Finland will be discussed today at Solar Power Finland, the country's largest solar energy seminar, held at Kaapelitehdas in Helsinki. The ...



Finland: Step into a Nordic Solar Market That's Doubling Annually

Big deals keep being announced, as international independent power producers and leading investors in the renewable energy market are filling up swelling pipelines and announcing the ...

Solar potential in Helsinki

The aim of this study is to assess the potential of large-scale utilization of solar panels on the roofs of Helsinki, Finland. First, a literature review is conducted on the topics of solar power and spatial ...

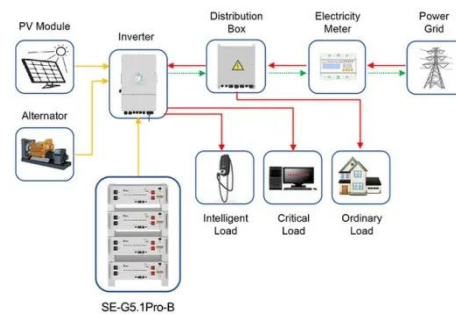


Finland Adds 227 Mw Of Utility-Scale Solar In 2025

Finland deployed 227 MW of utility-scale solar last year, according to figures from Renewables Finland. The figure is a record for large-scale solar in a calendar year for Finland, taking ...

The Dawn of Finnish Utility-Scale Solar PV

In future zoning would always be required for the construction of all solar power plants that are least ten hectares in size or larger In addition: notable and severe restrictions to wind power



Application scenarios of energy storage battery products

Finland adds 227 MW of utility-scale solar in 2025

Finland's large-scale solar capacity more than doubled in 2025, buoyed by the commissioning of the country's first solar projects larger than 50 MW. Another

record year for ground ...



Finland's Utility-Scale Solar Capacity More Than Doubled in 2025

Finland's utility-scale solar capacity soared in 2025, adding a record 227 MW. The article covers major projects like Utajärvi, Europe's northernmost large-scale park in Simo, upcoming ...



Contact Us

For catalog requests, pricing, or partnerships, please visit:
<https://scelto.co.za>

