

West Africa Tianji Microinverter



West Africa Tianji Microinverter

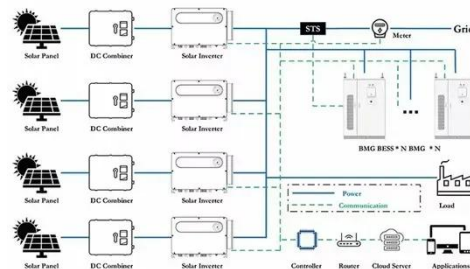


Built-in core electronic current detection chip CC6924, Tianji New

Charging Head Network has obtained a micro inverter launched by Tianji New Energy. This inverter model is Tiger-1.2KW2E1P, with a maximum continuous output power of 1200W and a peak output ...

Microinverters: What You Need To Know , EnergySage

Microinverters convert the electricity from your solar panels into usable electricity. Unlike centralized string inverters, which are typically responsible for an entire solar panel system, microinverters ...



West Africa Tianji Micro Inverter

verters for sale in South Africa. Explore our range of cutting-edge solar inverters for sale, an essential component for any solar-powered system. While our solar inverters do not include batteries, it's crucial to note the ...

SOLAR MICRO INVERTER , Solar

Power Solutions

Each residential M Series PV module designed by SunPower features a built-in Type H IQ7HS factory-integrated microinverter, designed by Enphase at the DC output. This technology converts DC-generated power by ...



MICROINVERTERS

Price incl..

Sparq Systems Inc. Announces Entry into African Microinverter Market

Sparq Systems Inc. announced it has entered into a manufacturer's authorization and supply agreement with Tumi Clean Technologies Limited and Rolaz Green Energy Pvt. Ltd., an existing importation ...



Micro Inverter Market Size & Share , Industry Report, 2030

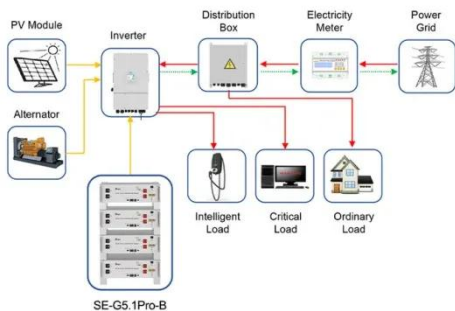
The micro inverter market in the Middle East and Africa is gradually expanding, driven by rising interest in decentralized

solar solutions to overcome grid unreliability and expand energy access.



Micro Inverter Market Trends, Share and Analysis, 2025-2032

Micro inverters have emerged as a compelling alternative to traditional central and string inverters used in solar installations due to their ability to optimize system performance at the module level.



Application scenarios of energy storage battery products

West Africa Tianji Micro Inverter Buyers & Importers

Sell West Africa Tianji Micro Inverter in bulk to verified buyers and importers. Connect with businesses actively looking to buy wholesale West Africa Tianji Micro Inverter at best prices.

Sparq Announces Entry into African Microinverter Market

Under the terms of the Agreement, Tumi has agreed to purchase Sparq microinverters and related products for

subsequent distribution and sale in Ghana, West Africa and such other markets in



Contact Us

For catalog requests, pricing, or partnerships, please visit:
<https://scelto.co.za>

