

What is the range of 5G communication base stations



What is the range of 5G communication base stations

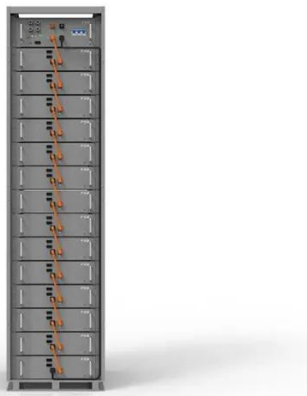
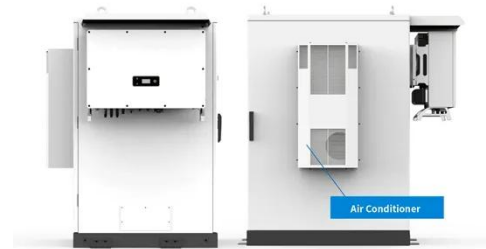


What is a 5G Base Station?

A 5G base station is a critical component in a mobile network that connects devices, such as smartphones and IoT (Internet of Things) gadgets, to the core network and the internet.

5G System Overview

A 5G base station is a critical component in a mobile network that connects devices, such as smartphones and IoT (Internet of Things) gadgets, to ...

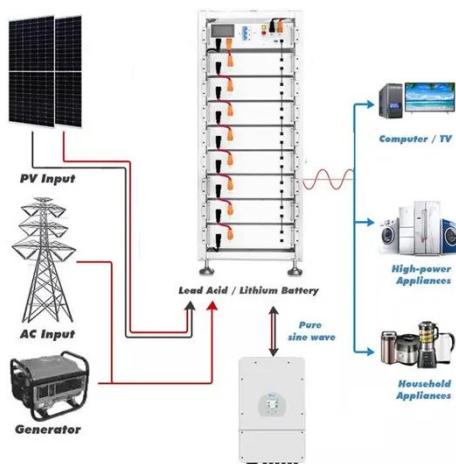


Types of 5G NR Base Stations: A Comprehensive Overview

Each type of base station serves a specific purpose, from broad coverage with macro cells to ultra-fast speeds with mmWave technology. Understanding these base stations helps network operators and ...

How Far Do 5G Towers Reach

Discover the reach of 5G towers and learn how far they can transmit signals. Stay informed about the latest advancements in 5G technology and its impact on connectivity.



5G NR Base Stations Classes

5G New Radio (NR) defines various classes of base stations to cater to different deployment scenarios and requirements. These classes enable operators to optimize their networks ...

5G Base Station Architecture

NSA Base Stations can provide an evolution path from 4G to 5G. Figure 22 illustrates two configurations for Non-Standalone Base Stations using the 4G Core Network. These configurations, ...

CE UN38.3 MSDS



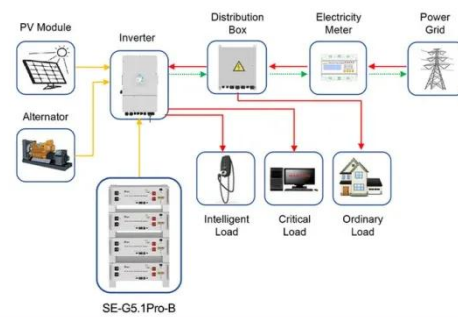
5G System Overview

For the downlink, up to 50 Mbps are offered for outdoor and 1 Gbps for indoor (5GLAN), with half of these values available for the uplink. A number of case studies have been under ...



Unveiling the 5G Base Station: The Backbone of Next-Gen Wireless ...

The coverage range of a 5G base station can vary depending on several factors, including the frequency band, antenna configuration, and deployment scenario. In general, low-band 5G base stations ...



Application scenarios of energy storage battery products



What is 5G NR Base Station Types

5G New Radio (NR) base stations, also known as gNBs, are classified into different types based on their deployment scenarios, frequency ranges, and technical requirements. Here's a detailed technical ...

Learn What a 5G Base Station Is and Why It's Important

5G operates on everything from low-band frequencies below 1 GHz for broader coverage, up to mid-band between 1-6 GHz for faster speeds, and

further on to high-band at ...



Contact Us

For catalog requests, pricing, or partnerships, please visit:
<https://scelto.co.za>

