

Yemen Energy Storage Power



Yemen Energy Storage Power

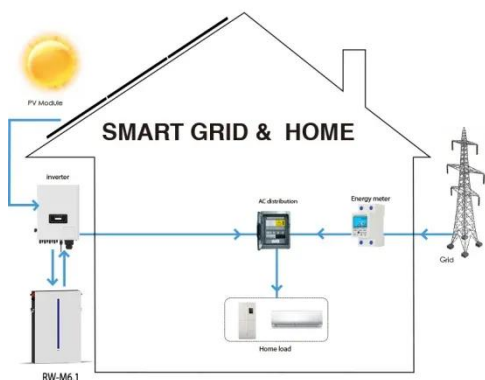


Yemen Energy Storage Photovoltaic Power Generation ...

How Photovoltaic-Storage Systems Work in Desert Climates Think of these systems as a "energy bank": solar panels generate power during daylight, while lithium-ion or flow batteries store excess energy ...

570kWh BESS Solution for an Off-Grid Hotel in Yemen

This solution integrates solar power, battery storage, diesel generators, and an Energy Management System (EMS) into a coordinated hybrid power architecture.



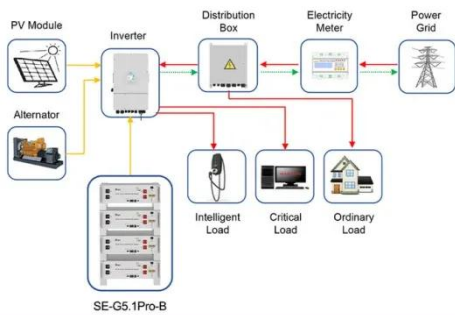
Reliable Energy Storage Solutions in Yemen -- GSL ENERGY ...

GSL ENERGY is a professional manufacturer of lithium battery energy storage systems, offering reliable and customizable solutions for home backup power, commercial and industrial ...

Yemen grid energy storage

batteries

Why are people moving to solar power in Yemen? The migration to solar power is part of what researchers say is an energy revolution in the country of 28 million, where the electric grid has been ...



Application scenarios of energy storage battery products

Yemen energy storage examples

The national renewable energy and energy efficiency strategy, on the other hand, sets goals, including a 15% increase in renewable energy contribution to the power sector by 2025 (Fig. 11). What is the ...

Yemen Energy Storage Project Investment

Yemen energy storage project construction Yemen has recently experienced a severe power shortage, unable to meet the power needs of its population and infrastructure.



Yemen Power Storage Project: Sustainable Solutions for Energy

The Yemen power storage project emerges as a critical initiative to address electricity shortages affecting 20 million people. With only 50% of urban

populations having regular grid access - dropping ...



A review of Yemen's current energy situation, challenges, ...

Environmental Science and Pollution Research - According to the literature, the development of renewable energy at the national level involves at least the four key categories listed ...



Energy Storage Power Stations in Yemen: Current Projects and ...

Yemen's energy sector faces unique challenges, making energy storage solutions critical for stabilizing power supply. This article explores existing energy storage power stations and their applications ...

New Energy Storage Battery Technology in Yemen: Powering the ...

Why Yemen's Energy Storage Scene Deserves Your Attention a country where

sunlight bathes the land 300+ days a year, yet diesel generators still roar through the night. Welcome to ...



Contact Us

For catalog requests, pricing, or partnerships, please visit:
<https://scelto.co.za>

