

# Zambia energy storage solar energy storage cabinet lithium battery reference price



✓ 100KWH/215KWH

✓ LIQUID/AIR COOLING

✓ IP54/IP55

✓ BATTERY 6000 CYCLES



## Overview

---

With prices dropping 89% since 2010 (BloombergNEF), lithium-ion dominates Zambia energy storage quotations. A 1MW/4MWh system now costs ~\$550,000—cheaper than building a new coal plant! Pro tip: Pair with Zambia's abundant solar for maximum ROI. Need 12+ hours of storage?

Why storage be used with solar photovoltaics in Zambia?

The Zambian regulation foresees customs duty and VAT exemptions for a type of technology that uses a group of to store. We carry premium brands such as Jinko, Sunpal, BlueSun and MUST. 0 and BYD Flex Lite batteries, offering even better wholesale rates for installers and EPCs. These updated. Electrical energy storage (EES) such as lithium-ion (Li-ion) batteries can reduce curtailment of renewables, maximizing renewable utilization by storing surplus electricity. Lithium-ion Battery Pack Prices Ris for First Time to an Average of \$151 bia,between USD 500/kWh and USD 1,000/kWh. With 3,650 kWh stored during the lifetime of the system,we can compute a cost o iability of electricity sup-ply in Zambia.

## Zambia energy storage solar energy storage cabinet lithium battery

---

### ZAMBIA ENERGY STORAGE CONTAINER PRICE LIST



Containerized Battery Energy Storage Systems (BESS) are essentially large batteries housed within storage containers. These systems are designed to store energy from renewable sources or the grid ...

### Energy Storage Equipment, Energy storage solutions, Lithium battery

Huijue Group's Home Energy Storage Solution integrates advanced lithium battery technology with solar systems. Ranging from 5kWh to 20kWh, it caters to households of varying sizes.



### Zambia base station energy storage battery price list

Hybrid Lithium-ion and Iron Flow Battery Energy Storage System (BESS) in Zambia for integrating variable renewable energy into the national grid and the Southern African Power Pool (SAPP)



RS485  
Communication between battery and inverters  
Band rate:9600bps.

RS485 Interface  
Communication between parallel packs or BMS and PC  
Band rate:9600bps.

### Average large scale battery storage

## price per 100kW in Zambia

In 2025, the landscape of battery pricing reveals some notable trends that impact the green energy sector. The average price of lithium-ion battery packs stands at \$152 per kilowatt-hour (kWh), ...



### Zambia rechargeable energy storage battery

CATL 3.2V 228AH lithium ion battery For Power Tool/Golf Carts/Solar Energy Storage, 4000 times cycle life. 1.This item is CATL 3.2V Lifepo4 228Ah, authentic 100% brand new cells.

### Zambia Energy Storage Power Supply: A Comprehensive Guide to ...

With prices dropping 89% since 2010 (BloombergNEF), lithium-ion dominates Zambia energy storage quotations. A 1MW/4MWh system now costs ~\$550,000--cheaper than building a ...



### ZAMBIA LITHIUM BATTERY STORAGE CABINET MANUFACTURER

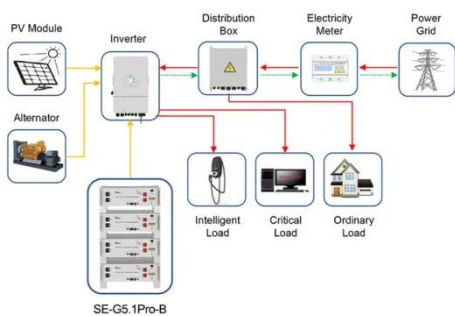
Energy Storage Cabinet is a vital part of modern energy management system, especially when storing and dispatching

energy between renewable energy (such as solar energy and wind energy) and ...



## ZAMBIA LITHIUM BATTERY STORAGE BOX PRICE LIST

ZAMBIA LITHIUM BATTERY STORAGE BOX PRICE LIST. Our certified energy specialists provide round-the-clock monitoring and support for all installed home energy storage systems.



Application scenarios of energy storage battery products

## ZAMBIA HOUSEHOLD ENERGY STORAGE POWER PRICE LIST

With prices dropping 89% since 2010 (BloombergNEF), lithium-ion dominates Zambia energy storage quotations. A 1MW/4MWh system now costs ~\$550,000--cheaper than building a new coal plant!

## ZAMBIA BATTERY ENERGY STORAGE SYSTEM MARKET 2025 2031

Zambia base station energy storage battery price list elopment of Zambia's electricity mix. While Zambia has the

potential to generate 2,300 MW of solar and 3,000 MW of wind, only 76 MW of solar has be ...



---

## Contact Us

---

For catalog requests, pricing, or partnerships, please visit:  
<https://scelto.co.za>

